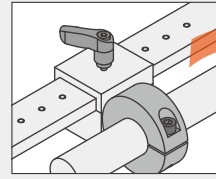


Launched in May 2024

NEW Heavy Duty Type

One Touch Push Lock Clamps



One Touch Push Lock Clamps are quick locks that provide easy, tool-less locking with a 120-degree turn for slide and angle adjustment, contributing to the increase in productivity. These locks are versatile enough to clamp various objects such as flat bars, round shafts and linear rails.

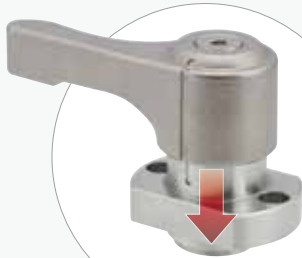


NEW Heavy Duty One Touch Push Lock Clamps

KEY POINT

High clamping force of 1100 N
Strong lock for slide adjustment

Constant clamping force



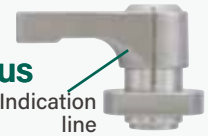
A 120-degree turn of the handle pushes down the internal piston to clamp an object. The internal spring and wedge mechanism provides strong and constant clamping force, preventing over/under tightening.

Quick and easy tool-less clamping

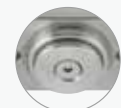


Visible clamping status

Indication line



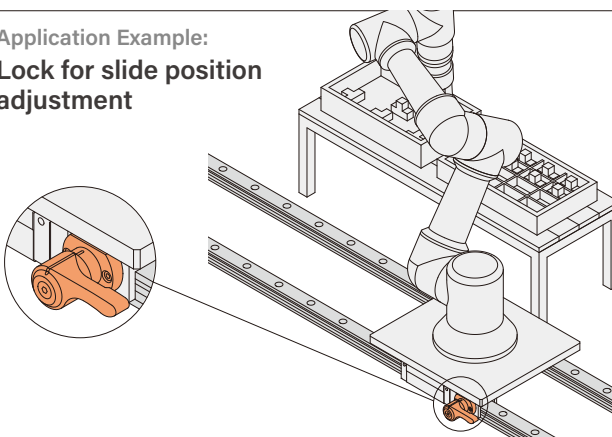
Available in 2 tip styles



Flat

Diamond

Application Example:
Lock for slide position adjustment



Application Example:
Lock for elevating equipment

