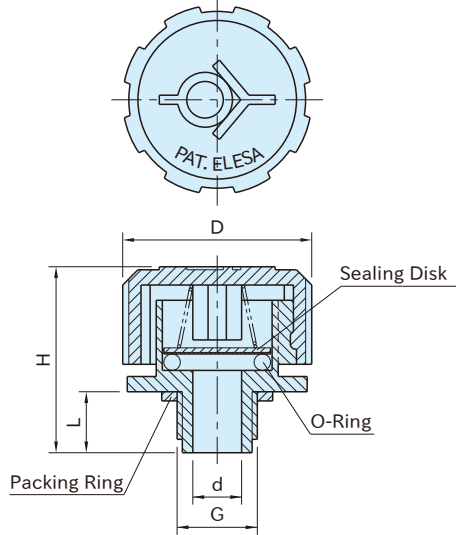


VL**VALVE BREATHER PLUGS**

Original ELESA Model SFV.



Cap	Threaded Connector	Spring	O-Ring & Packing Ring
Polyamide plastic Orange Matte	Polyamide plastic Black Matte	Stainless steel (SUS302WPA)	Nitrile rubber (NBR)

Working Pressure:10 ³ Pa		Working Pressure:10 ⁴ Pa		G	L	D	H	d	Weight (g)
Part Number	Part Number								
VL-1/4L	VL-1/4H	G 1/4	10	31	30	8	11		
VL-3/8L	VL-3/8H	G 3/8							
VL-1/2L	VL-1/2H	G 1/2	11.5	42	37	17	23		
VL-3/4L	VL-3/4H	G 3/4							
VL-1 L	VL-1 H	G1					25		

Features:

- Cap for air exhaust.
- Pressure set **VL-L** :10hPa
VL-H :100hPa
- Air pressure inside the tank reaches the value stated above, the valve automatically opens to let out air.
- Air can not be let in.
- Perfect for use on speed reducers, compressors, etc.

Notes:

- Do not mount these plugs on the water tank to avoid them from expanding due to water absorption.
- Unresistant to gasoline and alcohol.

Technical Information

Working temperature : Between -30°C and 120°C