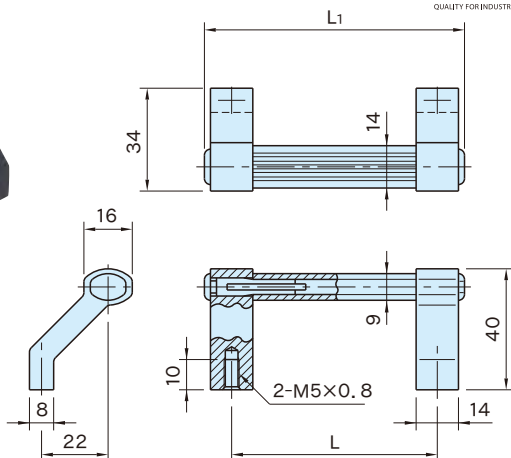


UN5

ALUMINUM EQUIPMENT HANDLES



Handle	Shank
Aluminum (A6N01S)	Aluminum (A6N01S)
Anodized finish	Anodized finish
Satin finish	Satin finish
Natural matte	Black matte

Part Number	L	L ₁	U (*)	Panel Height E (**)	Mounting	Load Capacity (N)	Weight (g)
UN5- 55	55	73	2	88.1		1000	35
UN5- 88	88	106	3	132.5			42
UN5-100	100	118					44
UN5-120	120	138	4	177			48
UN5-180	180	198	5	221.5			60
UN5-200	200	218					64
UN5-235	235	253	6	266			71
UN5-250	250	268	7	310.5	74		

*) 1U=44.45mm

***) Panel height≅U×44.45mm−0.8mm