

UN1, UN2, UN3

ALUMINUM EQUIPMENT HANDLES

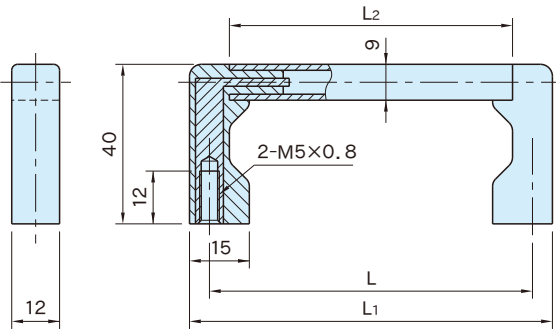


UN1 UN3
(Back Mounting)

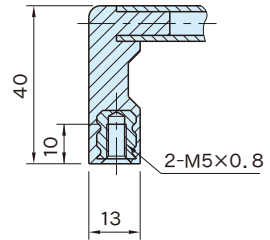


UN2
(Front Mounting)

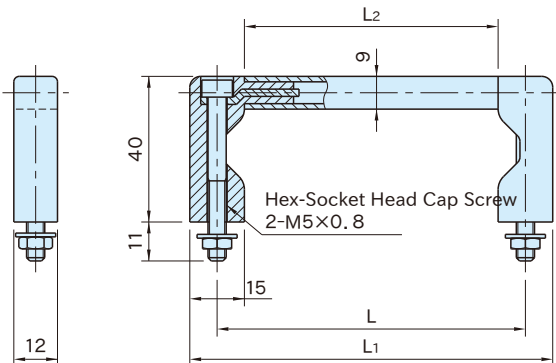
Type	Handle	Shank	Insert
UN1	Aluminum(A6N01S)	Glass-fiber reinforced	Steel(SUM22L)
UN2	Anodized finish Satin finish	polyamide plastic	-
UN3	Natural matte	Black matte	Brass(C3604B)



UN1
(Back Mounting)




UN3
(Back Mounting, Light-Duty)




UN2
(Front Mounting)


UN1 (Back Mounting)

Part Number	L	L ₁	L ₂	U (*)	Panel Height E (**)	Mounting	Load Capacity (N)	Weight (g)
UN1-120	120	130	110	4	177		500	50
UN1-180	180	190	170	5	221.5			55

UN2 (Front Mounting)

Part Number	L	L ₁	L ₂	U (*)	Panel Height E (**)	Mounting	Load Capacity (N)	Weight (g)
UN2- 55	55	70	40	2	88.1		500	40
UN2- 88	88	103	73	3	132.5			44
UN2-100	100	115	85					46
UN2-120	120	135	105	4	177			49
UN2-180	180	195	165	5	221.5			57
UN2-235	235	250	220	6	266			64

UN3 (Back Mounting, Light - Duty)

Part Number	L	L ₁	L ₂	U (*)	Panel Height E (**)	Mounting	Load Capacity (N)	Weight (g)
UN3- 25	25	39	25	1	44		200	21
UN3- 55	55	69	55	2	88.1			26
UN3- 88	88	102	88	3	132.5			30
UN3-100	100	114	100					32
UN3-120	120	134	120	4	177			35
UN3-180	180	194	180	5	221.5			44
UN3-235	235	249	235	6	266			53

*) 1U=44.45mm

**) Panel Height≅U×44.45mm−0.8mm

Features:

·The shanks can come off the handle if pulled strongly in a horizontal direction.