

TR1

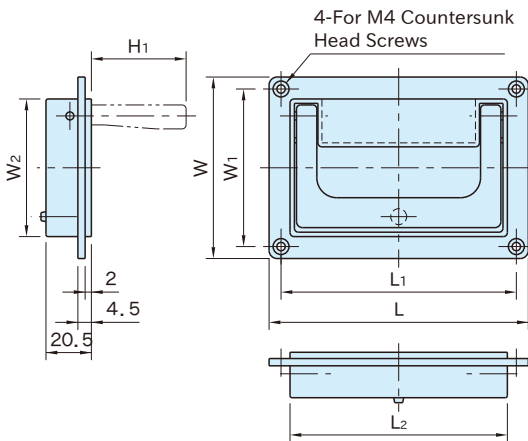
TRAY HANDLES



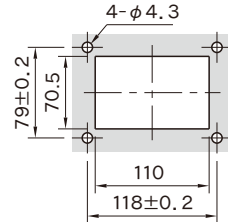
Rohde
QUALITY FOR INDUSTRY



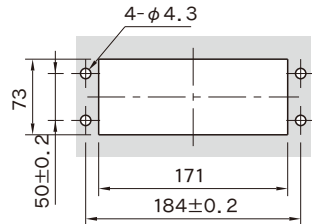
Handle	Tray
Die-cast aluminum alloy (ADC10)	Die-cast aluminum alloy (ADC10)
Black matte	Natural



Mounting Cutout



TR1-118



TR1-184

Part Number	L	L ₁	W	W ₁	W ₂	L ₂	H ₁	U [*]	Panel Height E ^{**}	Mounting	Load Capacity Per Pair(N)	Weight (g)
TR1-118	130	118	91	79	69	109	48	3	132.5		500	197
TR1-184	200	184	80	50	72	170	51	2	88.1			286

*)U=44.45mm

**) Panel height = U × 44.45mm - 0.8mm

Features:

- The handle snapfastens at both open and closed positions.
- The handle has finger grips.