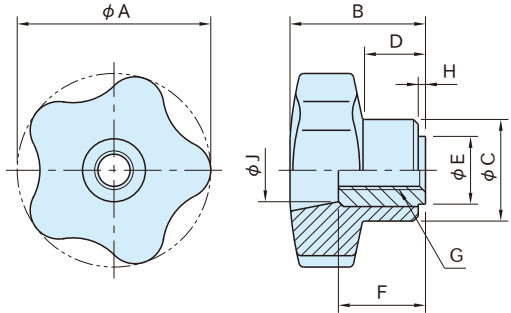


TLK

PLASTIC LOBE KNOBS



Original ELESA Model VC.254B



Knob	Insert
Phenolic plastic	Brass
Glossy Finish	
Black	

Part Number	A	B	C	D	E	F	G	H	J	Weight (g)
TLK40A	40	28	21	13	14	18	M 6×1	1.5	13	42
TLK40							M 8×1.25			38
TLK40B							M10×1.5			34
TLK50	M12×1.75	62								
TLK50A		55								
TLK60A	60	38	27	18	17	26	M10×1.5			15
TLK60							M12×1.75			90
TLK70	70	45	30	21					17	125
TLK85	85	56	35	32	24	35	M16×2	2	18	210

Technical Information

Working temperature : Between -20°C and 110°C