

TK, TS

PLASTIC LOCK KNOBS



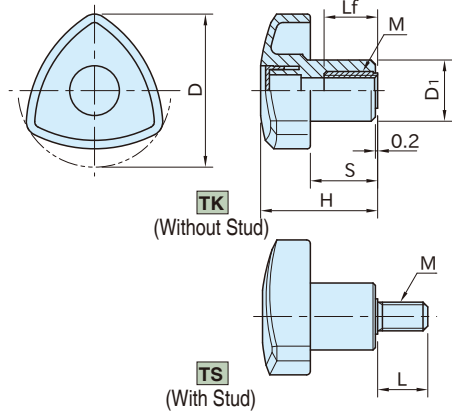
Original ELESA Model VTR.



TK
(Tapped)



TS
(Stud)



Knob	Cap	Insert	Stud
Polyamide plastic Glossy Finish Black or orange (Black only for stud type)	Polyamide plastic Gray matte	Brass	Steel(SUM22L) Zinc plated

TK (Tapped)

Part Number		D	H	D ₁	S	M	Lf	Weight (g)
Black	Orange							
TK32A	TK32A-OG	32	26	14	16	M 5×0.8	10	7
TK32	TK32 -OG					M 6×1	12	9
TK40	TK40 -OG	40	30	16	17	M 8×1.25	14	13
TK50A	-							18
TK50	TK50 -OG	50	35	19	19	M10×1.5	16	22
TK60A	-							30
TK60	TK60 -OG	60	41	22	22	M12×1.75	18	32

TS (Stud)

Part Number	D	H	D ₁	S	M	L	Weight (g)
Black							
TS32A×10	32	26	14	16	M 5×0.8	10	9
TS32A×20						20	10
TS32 ×10					M 6×1	10	10
TS32 ×20						20	13
TS40 ×16	40	30	16	17	M 8×1.25	16	19
TS40 ×30						30	25
TS40 ×50					50	30	30
TS50 ×30						50	35
TS50 ×50	50	50					
TS60 ×30	60	41	22	22	M12×1.75		30
TS60 ×50						50	80

Notes

Use in hot or highly humid circumstances can deteriorate the plastic material properties.

Technical Information

Working temperature : Between -30°C and 90°C