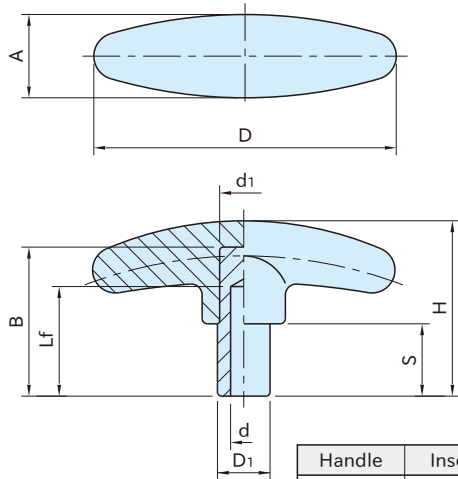


TH**PLASTIC T-HANDLES**

Original ELESA Model L.152

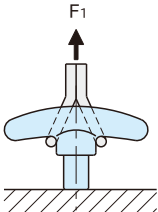


| Handle | Insert |
|--|-------------------------------------|
| Phenolic plastic Glossy Finish Black | Steel(SUM22L) Black oxide finish |

| Part Number | D | H | A | D ₁ | S | d (H8) | Lf | B | d ₁ | Weight (g) |
|-------------|----|----|----|----------------|----|-----------|----|----|----------------|---------------|
| TH70 | 69 | 40 | 19 | 12 | 16 | 6 | 25 | 34 | 11 | 37 |
| TH80 | 79 | 44 | 22 | 16 | 18 | | | 36 | 13 | 66 |
| TH95 | 95 | 50 | 26 | 18 | 19 | | | 30 | 41 | 15 |

Technical Information

Working temperature : Between -20°C and 110°C

**Strength Data**

| Part Number | Tensile Stress (F1) |
|-------------|------------------------|
| TH70 | 2000N |
| TH80 | 4000N |
| TH95 | 4000N |