

STK-LK

PLASTIC SECURITY LOBE KNOBS



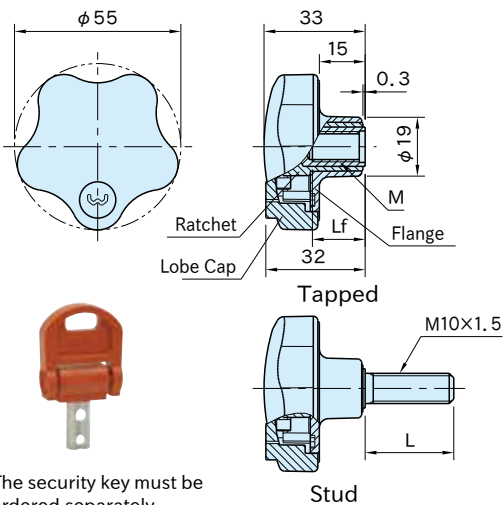
Original ELESA Model VLS.



Tapped



Stud



*) The security key must be ordered separately.

Lobe Cap	Flange	Ratchet	Insert	Stud
Glass-fiber reinforced polyamide plastic Black matte	Polyamide plastic Black matte	Polyacetal plastic Black	Brass	Stainless steel (SUS303)

Tapped

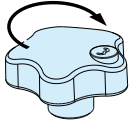
Part Number	M	Lf	Weight (g)
STK55LK-M 8	M 8x1,25	13	33
STK55LK-M10	M10x1.5	17	35

Stud

Part Number	L	Weight (g)
STK55x20LK-SUS	20	44
STK55x40LK-SUS	40	52

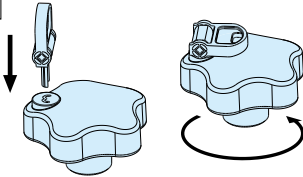
How To Use

Installation



No key is required.

Removal



Without a security key, the knob only spins free and can not be removed (do not turn the key after inserting it into the key hole).

Features:

- Knob that is designed for security.
- The flange is ultrasonically welded into the lobe cap, to prevent the penetration of dirt, dust or liquid.

Notes:

Use in hot or highly humid circumstances can deteriorate the plastic material properties.

Technical Information

Working temperature : -30°C to 100°C