

# SRP,DRP

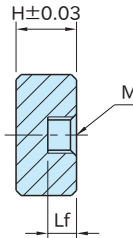
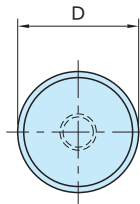
# REST PADS



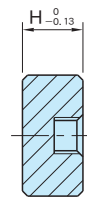
**SRP**  
(Steel)



**DRP**  
(Plastic)



**SRP**  
(Steel)

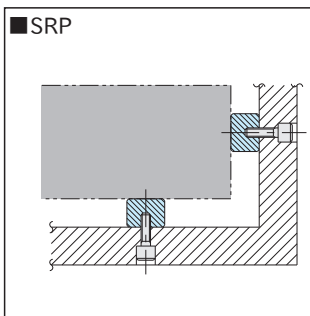


**DRP**  
(Plastic)

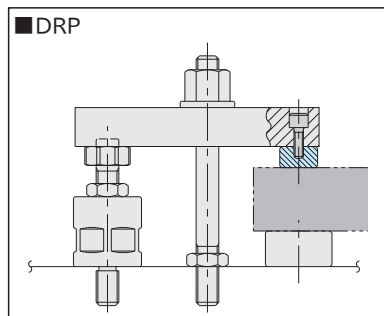
Type	Body
<b>SRP</b>	SNCM220 steel Carburized-hardened Black oxide finish Heat treated to HRC60
<b>DRP</b>	Polyacetal plastic White

Steel		Plastic		D (-0.13)	H	M	Lf
Part Number	Weight(g)	Part Number	Weight(g)				
<b>SRP-080</b>	3	<b>DRP-080</b>	1	8	10	M4×0.7	5
<b>SRP-100</b>	5	<b>DRP-100</b>		10		M5×0.8	
<b>SRP-120</b>	8	<b>DRP-120</b>	2	12			6.4
<b>SRP-122</b>	10	<b>DRP-122</b>		16	10	M6×1	5
<b>SRP-160</b>	15	<b>DRP-160</b>	3				
<b>SRP-200</b>	23	<b>DRP-200</b>	4				
<b>SRP-250</b>	37	<b>DRP-250</b>	7	25			

## Application Examples



Workpiece positioning



Protecting a soft or precision ground workpiece.