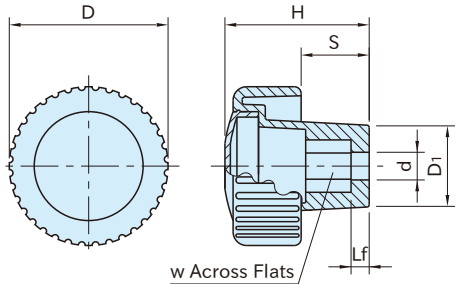


SMK

PLASTIC KNURLED KNOBS



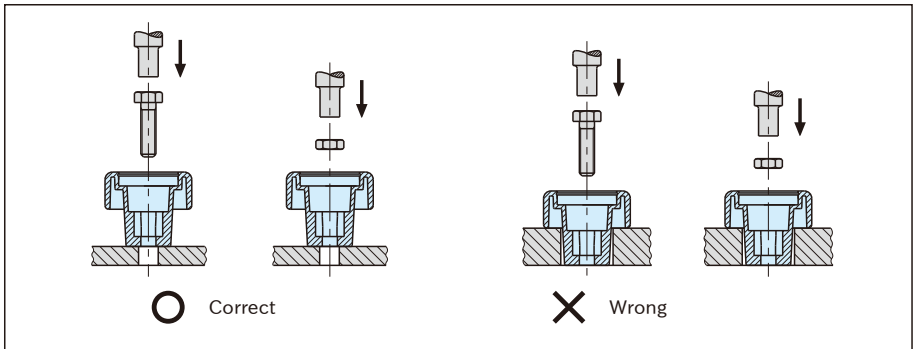
Original ELESA Model MCT.



Knob	Cap
Polyamide plastic Black matte	Polypropylene plastic Glossy Finish Orange

Part Number	D	H	D ₁	S	w	d	Lf	Weight (g)
SMK35M5	35	32	18	15	8 (for M5 screw)	5	4	12
SMK35M6					10 (for M6 screw)	6		11
SMK35M8					13 (for M8 screw)	8		10
SMK50M6	50	40	23	21	10 (for M6 screw)	6	5	23
SMK50M8					13 (for M8 screw)	8		22
SMK70M8	70	71	30.5	40	13 (for M8 screw)	8	9	64

How To Install



<Installation Instructions>

1. Insert a hex. head screw or hex. nut fully deep into the hex. hole of the knob using a tool.
2. Snap on a cap.

Features

These knobs accept commercially available screws or nuts.

Technical Information

Working temperature : Between -30°C and 90°C

Notes

Use in hot or highly humid circumstances can deteriorate the plastic material properties.