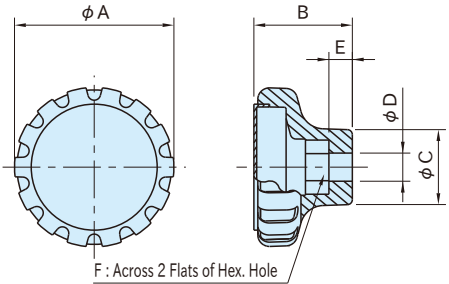


SMFK

FLUTED GRIP KNOBS



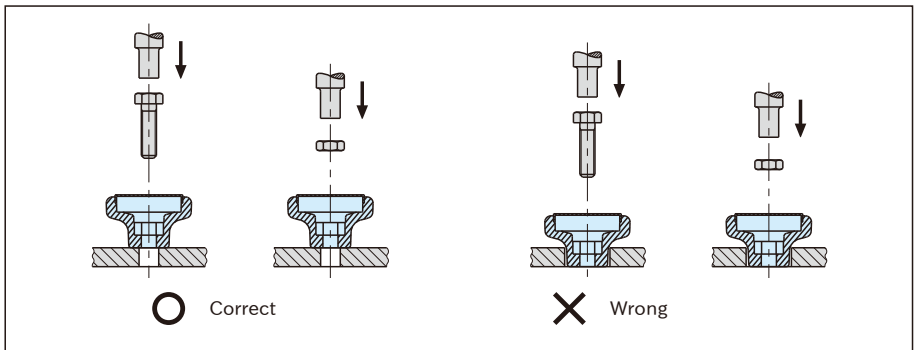
Original Elesa Model MDA.



Body	Cap
Glass-fiber reinforced polyamide	Glass-fiber reinforced polyamide
Black matte	Gray

Part Number	A	B	C	D	E	F	weight (g)
SMFK30M 6	34	21	16	6	5	10(for M6 screw)	14
SMFK40M 8	42	26	19	8		13(for M8 screw)	18
SMFK50M10	53	32	24	10		17(for M10 screw)	23

How To Install



<Installation Instructions>

1. Insert a hex head screw or hex nut fully deep into the hex hole of the knob using a tool.
2. Snap on a cap.

Features

These knobs accept commercially available screws or nuts.

Notes

Use in hot or highly humid circumstances can deteriorate the plastic material properties.

Technical Information

Working temperature : Between -30°C and 130°C.