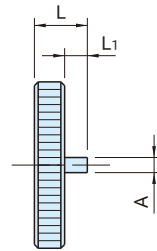
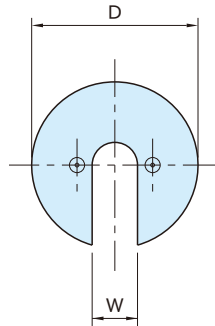


SDX-Z

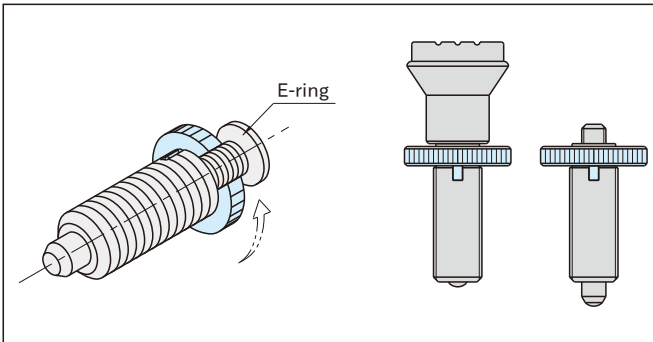
PLUNGER WRENCHES



Body
Steel(SUM22L)
Black oxide finish

Part Number	D	W	L	L ₁	A	Weight (g)
SDX 6Z	18	2.5	4	1.5	1	0.4
SDX 8Z		4				
SDX10Z	20	5	5	2.5	1.2	5
SDX12Z	22	6	6	3		7
SDX16Z	24	8	8	4	2	12
SDX20Z	28	10	10	5		19

How To Use



Handy tool that helps to speed up installing **SDX** Spring Plungers.