

# SDP-02

# DIGITAL POSITION INDICATORS



**SDP-02H**  
(Style H)



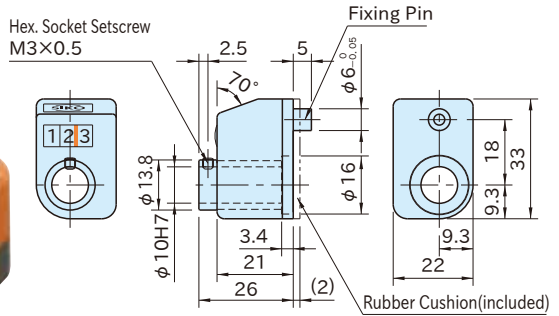
**SDP-02V**  
(Style V)

On Request



**SDP-02F**  
(Style F)

On Request



Note : The flat-end fixing pin can not work to mark a fixing point.

Housing
Polyamide (nylon 6) plastic
Orange

## Feature

- Lightweight and extra-compact.
- Shaft-hole diameter : 10mm
- Displayed figure height : 4mm

## Shaft Locking Solution

Use **MAU-SL** to prevent rotations due to machine vibration.

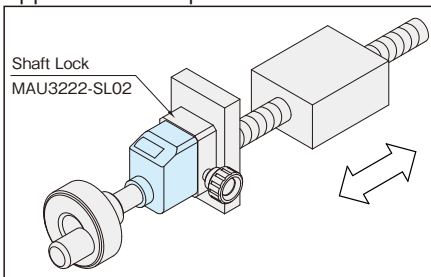
## Furnished With

Rubber Cushion

## How To Use

- 1 Stick the rubber cushion to the back of the indicator.
- 2 Drill a fixing-pin hole in the mounting wall, 18mm above the shaft center.
- 3 Slide the indicator onto the shaft to the mounting wall and then tighten the setscrew.

## Application Example



## Note

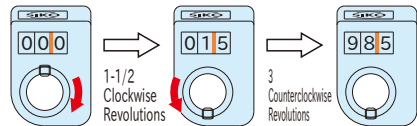
- Ensure that the start-up revolution speed is 1/3 or less of the allowable revolution speed.
- Do not give rapid acceleration or sudden stop.
- These position indicators can not be used in applications where the shaft moves in the axial direction.

## Technical Information

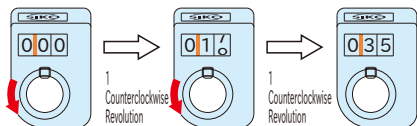
Working temperature : Up to 80°C

## Display Example

### SDP-02FR-1B



### SDP-02FL-1.75A On Request



Type	Spindle Thread Pitch	Value Displayed After 1st Revolution				Allowable Revolution Speed (min <sup>-1</sup> )	Weight (g)
		<b>A</b> On Request	<b>B</b>	<b>C</b> On Request	<b>D</b> On Request		
SDP-02	0.75	0 0 7 8	0 0 7 8	0 0 7 8	-	500	20
	1	0 1 0	0 1 0	0 1 0			
	1.25	0 1 2 3	0 1 2 3	0 1 2 3			
	1.5	0 1 5	0 1 5	0 1 5			
	1.75	0 1 7 8	0 1 7 8	0 1 7 8			
	2	0 2 0	0 2 0	0 2 0			
	2.5	0 2 5	0 2 5	0 2 5			
	3	0 3 0	0 3 0	0 3 0			
	4	0 4 0	0 4 0	0 4 0			
	5	0 5 0	0 5 0	0 5 0			
	6	0 6 0	0 6 0	0 6 0			
	8	0 8 0	0 8 0	0 8 0			
10	-	1 0 0	1 0 0	1 0 0	375		
					300		
					250		
					180		
					150		

Ordering Example

**SDP-02**   **H**   **R** - **1**   **B**

Style   Rotative Direction   Spindle Thread Pitch   Value Displayed After 1st Revolution

