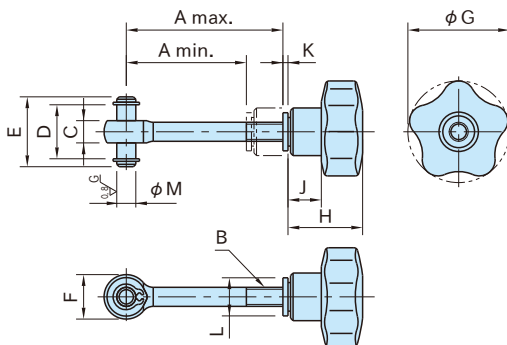


# RWK

## ROD ENDS with LOBE KNOB



材質の特性  
P.1573



Knob	Washer	Bolt	Hinge Pin
Polypropylene plastic Black matte	Steel	Steel Black oxide finish	Steel (S35C) Quenched and tempered

Part Number	A		B	C	D	E	F	G	H	J	K	L	M (h11)	Weight (g)
	Min.	Max.												
<b>RWK06050</b>	32	44	M 6×1	7	17	22	14	32	23	10	1.6	12	6	32
<b>RWK06075</b>	57	69												37
<b>RWK08050</b>	28	42	M 8×1.25	9	25	30	18	40	27	12	1.6	16	8	67
<b>RWK08075</b>	53	67												77
<b>RWK10075</b>	49	65	M10×1.5	12	32	37	20	50	32	14	2	20	10	120
<b>RWK10100</b>	74	90												135

### Feature

Comes with STK-NT knob.

### How to Use

Use the C-shaped rings included at both ends of the hinge pin to retain it.

