

RLP-E

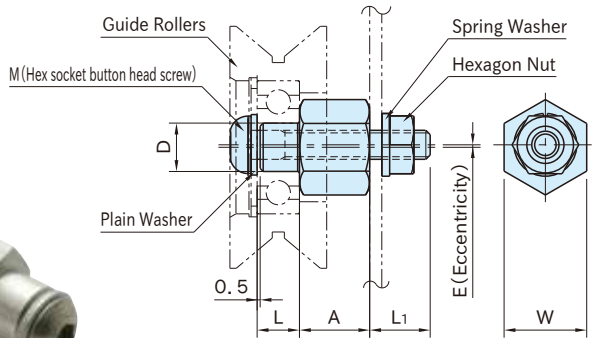
ECCENTRIC ROLLER PINS



RLP-E
(Steel)



RLP-E-SUS
(Stainless Steel)

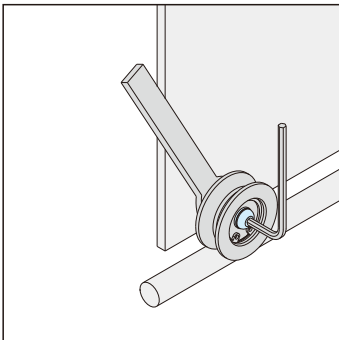


Type	Body
RLP-E	S45C steel Black oxide finished
RLP-E-SUS	Stainless steel (SUS303)

Steel	Stainless Steel	D (g7)	L	W	A	M	L ₁	E	Weight (g)
RLP06E	-	6	6	10	8.5	M 4×0.7 -25L	9.7	0.3	10
RLP08E	RLP08E-SUS	8	7	14	12	M 5×0.8 -30L	10	0.8	24
RLP10E	RLP10E-SUS	10	8		13.5	M 6×1 -35L	11.9	1	32
RLP12E	RLP12E-SUS	12	10	17	15.5	M 8×1.25-40L	12.9		59
RLP15E	-	15	11	19	18.5	M10×1.5 -45L	13.5	1.5	99

How To Use

- Use as a shaft for Guide Rollers.
- This product allows adjusting the height of guide rollers. Adjust the position of Eccentric Roller Pins, and then tighten the screw.



Features:

- Stainless-steel roller pins have excellent resistance to corrosion.
- Perfect for use on food processing machines and washing machines.

Note

Depending on thickness of the mounting plate, prepare a proper hex socket button head screw that is commercially available.