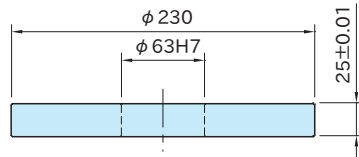
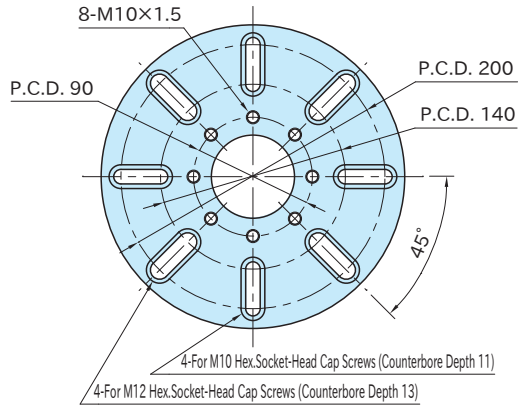


QZSD-C6-P

PLATE (QUICK ZERO SETTING DEVICE)

On Request



Body

S45C steel
Black oxide finished
Precision ground

Part Number	Weight (kg)
QZSD-C6-P	6.3

Feature

- For mounting the device on machine tables with T-Slots.
- Mounting holes are M10 and M12 sizes.
- Custom plates are available on request.

Related Product

- [QZSD-C6-B](#) BASE (QUICK ZERO SETTING DEVICE)
- [QZSD-C6-H](#) HOLDER (QUICK ZERO SETTING DEVICE)

Note

This plate is a non-stock item.

How To Use

