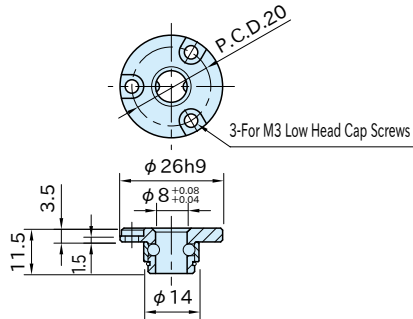


QCTHS-B

LOCKING RECEPTACLE



Stainless Steel



Body	Ball	Collar	Retaining Ring
SUS303 stainless steel	SUS440C stainless steel	SUS440C stainless steel Quenched and tempered	SUS304WPB stainless steel

Part Number	Weight (g)
QCTHS0834-B	19

Part Number	Heavy Duty Quarter-Turn Clamps	Retractable Heavy Duty Quarter-Turn Clamps	Heavy Duty Shaft Coupling Clamp
QCTHS0834-B	QCTHS0825-20 QCTHS0825-20S QCTHS0834-20 QCTHS0834-20S	QCTHSA0825-20 QCTHSA0825-20S QCTHSA0834-20 QCTHSA0834-20S	QCSJS0822A

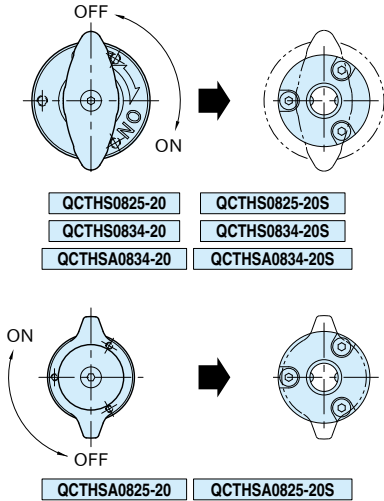
Supplied With

3 of low head cap screws(stainless steel),
M3×0.5-6L

Reference

- [QCTHS](#) HEAVY DUTY QUARTER-TURN CLAMPS
- [QCTHS](#) RETRACTABLE HEAVY DUTY QUARTER-TURN CLAMPS
- [QCSJS](#) HEAVY DUTY SHAFT COUPLING CLAMP

Installing Position with Quarter Turn Clamps

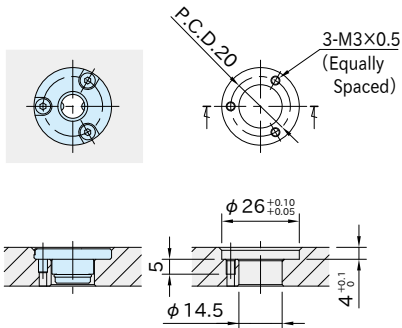


Please note the orientation of Locking Receptacle to Quarter Turn Clamp.

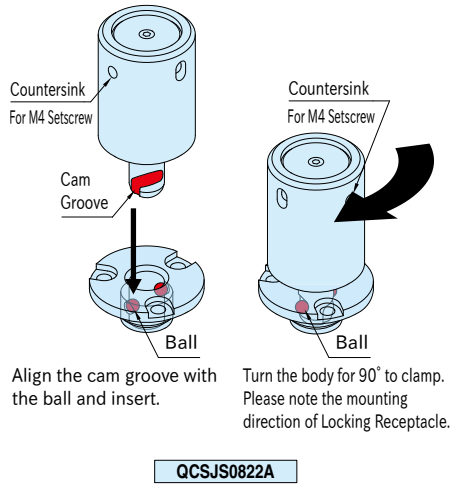
Installing Position

Use with Heavy Duty Quarter-Turn Clamps

Plate thickness should be 9mm or more.



Installing Position with Shaft Coupling Clamp



Use with Heavy Duty Shaft Coupling Clamp

Plate thickness should be 9mm or more.

