

QCSPL

ONE-TOUCH SPINDLE LOCKS



QCSPL-OG

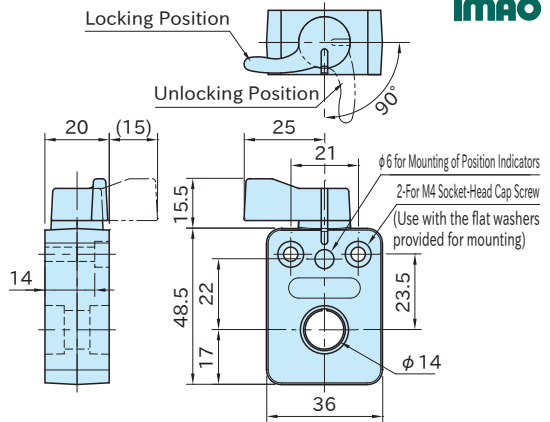
(Plastic knob, Orange)

QCSPL-BK

(Plastic knob, Black)

QCSPL-S

(Metal knob)



★Key Point

Secure locking of spindles with one-touch action!

Type	Housing	Knob	Clamp Collar
QCSPL-OG	Polyamide plastic (glass-fiber reinforced)	Polyamide plastic (glass-fiber reinforced)	SUS630 stainless steel
QCSPL-BK		Polyamide plastic (glass-fiber reinforced)	
QCSPL-S	Black matte	SCS13 stainless steel (Equivalent to SUS304)	stainless steel

Plastic Knob			Metal Knob		Allowable Holding Torque(N·m)	Suitable shaft dia. (h7)
Part Number		Weight (g)	Part Number	Weight (g)		
Orange	Black					
QCSPL0414-OG	QCSPL0414-BK	50	QCSPL0414-S	70	4	φ 14

Feature

- One-touch Spindle Locks enable quick and secure locking of shafts with one click of the knob.
- When One-touch Spindle Lock is operated, the knob clicks and the shaft is locked with a steady force. This provides reliable locking of shafts.

Supplied With

2 of Flat round washer (Stainless Steel)

How To Use

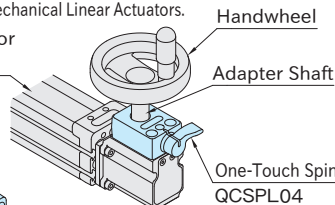
Usage examples to mount on Mechanical Linear Actuators.

Mechanical Linear Actuator With Adjustable Gear Box
MAG5040

Mechanical Linear Actuator
MAU5040

One-Touch Spindle Lock
QCSPL04

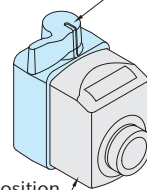
Adapter Shaft



Handwheel

One-Touch Spindle Lock
QCSPL04

Digital Position Indicator
SDP-04



Reference

Please refer to another [QCSPL](#) page for further information.

Note

- Allowable Tightening Torque for Mounting Screws is 1.5N·m.
- Tightening with torque greater than the allowable tightening torque may cause failure by deformation of the body.
- Can not be used with [MAU3222**](#).