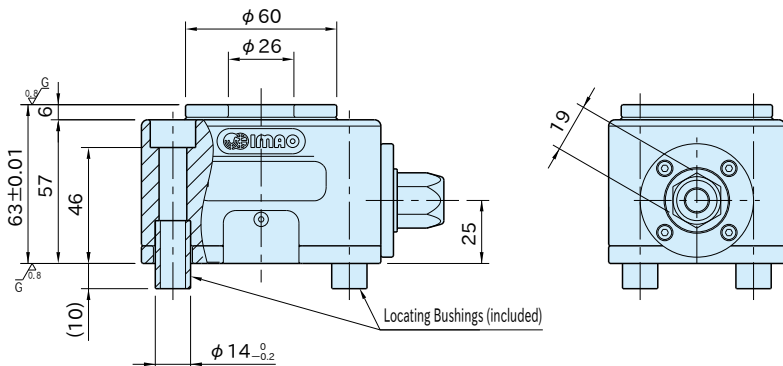
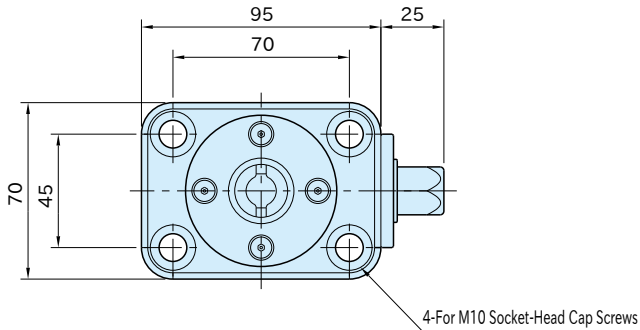


PTPD

NUTRUNNER PULL CLAMP



Body	Contact Pad	Locating Bushing
S45C steel Black oxide finish	SCM440 steel Quenched and tempered Black oxide finish	SCM435 steel Quenched and tempered Black oxide finish



Part Number	Weight (kg)
PTPD12	2.3

Options of Operating Tool	Clamping Force (kN)	Allowable Tightening Torque(N·m)
Spanner or Socket Wrench	12	40
Nut Runner (for robotization)		
Impact Wrench	6	20

Note

This clamp can be operated with an impact wrench. Use an impact wrench that can set the torque, as the clamp may be damaged if it is used with the tightening torque exceeding the allowable value for a long period of time.

Related Product

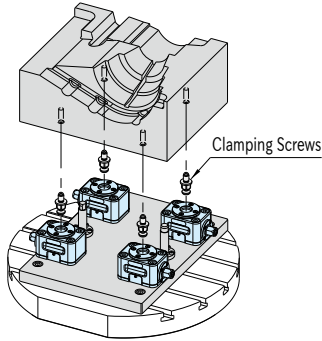
- [PTPD-M](#) CLAMPING SCREWS
- [PTRCT](#) EXTENSION UNITS

Feature

Clamps the workpiece by pulling in the clamping screws mounted on the bottom of the workpiece.

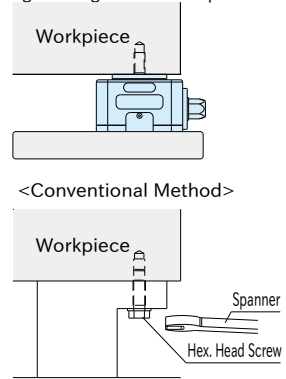
How It Works

This clamp allows the workpiece to be machined from 5 sides.



How To Operate

Operation from the side with the hex head allows easy tightening of the workpiece.



How To Use

Ideal for use with a nut runner for automated production line, as well as for use with a power tool for easier operation. This clamp can be also tightened manually.

Recommended Tolerance

The locating repeatability of the Nutrunner Pull Clamp itself is ± 0.3 mm.
For more accurate clamping, use locating pins.

*) To clean up chips and dust, remove the two side covers and blow air through the hole in the top.