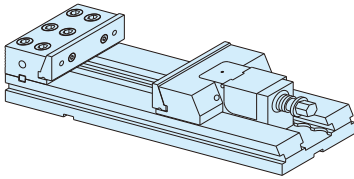
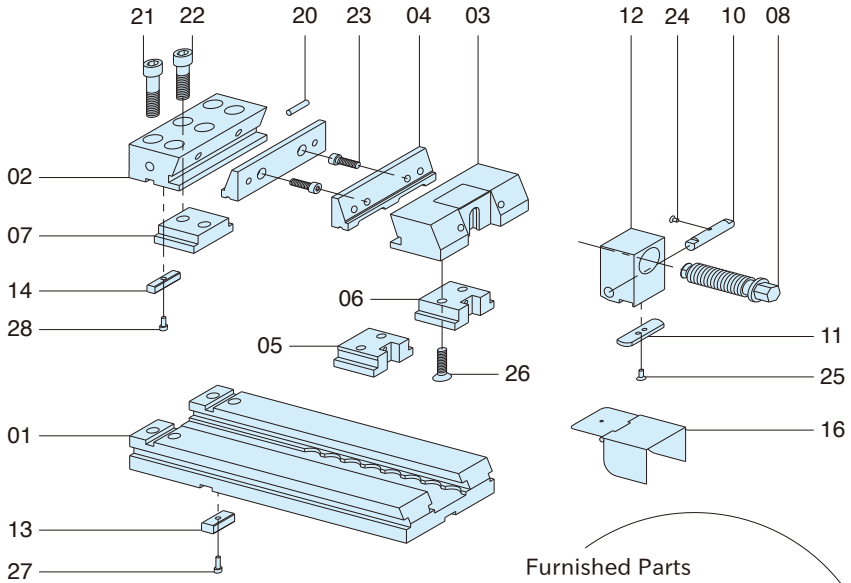


MODULAR VISE PARTS BREAKDOWN



- | | |
|-------------------------|--|
| 01 : Base | 16 : Protection Cover for Clamping Screw |
| 02 : Fixed Support | 17 : Modular Parallels |
| 03 : Movable Support | 18 : Stop |
| 04 : Jaws | 19 : Eye Bolt |
| 05 : Floating Slide-way | 20 : Rubber Pad |
| 06 : Rigid Slide-way | 21 : Hex-Socket Head Cap Screw |
| 07 : Fixed Slide-way | 22 : Hex-Socket Head Cap Screw |
| 08 : Clamping Screw | 23 : Hex-Socket Head Cap Screw |
| 10 : Contrast Pin | 24 : Countersunk Head Cap Screw |
| 11 : Positioning Plate | 25 : Countersunk Head Cap Screw |
| 12 : Clamping Block | 26 : Countersunk Head Cap Screw |
| 13 : Positioning Key | 27 : Hex-Socket Head Cap Screw |
| 14 : Key | 28 : Hex-Socket Head Cap Screw |
| 15 : Wrench | |

* Following parts for MVMF150 are in-stock items for maintenance.
 - 08, 10, 11 sold separately
 - Clamping unit consisting of 08, 10, 11, 12



Furnished Parts

