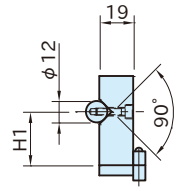
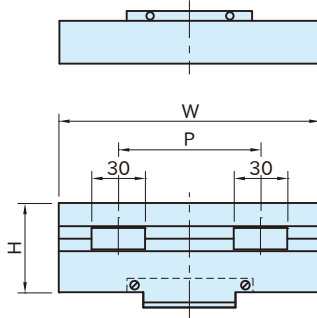


# MVSJ-R

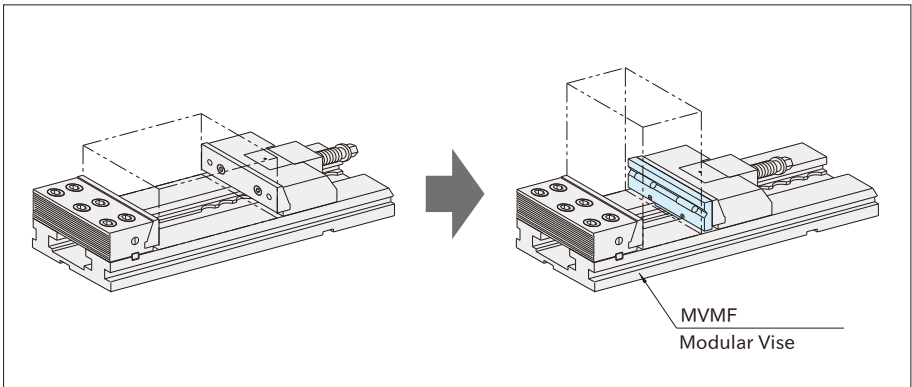
# ROUND JAWS



Body	Jaw
Steel	Steel Case hardened Precision ground HRC45~50

Part Number	W	H	H1	P	Weight (kg)	Proper Modular Vises
<b>MVSJ110R</b>	106	40	25	60	1	<b>MVMF110</b>
<b>MVSJ150R</b>	146	50	30	80	1.2	<b>MVMF150</b>

## Application Examples



For perpendicular cutting.