

LR-P / LT-NP

COLUMN LEVEL INDICATORS



Original ELESA Model HCX-PHCX-PT



LR-P

LT-NP

LR-PP

LR-PP-SUS

LR-PP-J

LT-NPP

LT-NPP-SUS

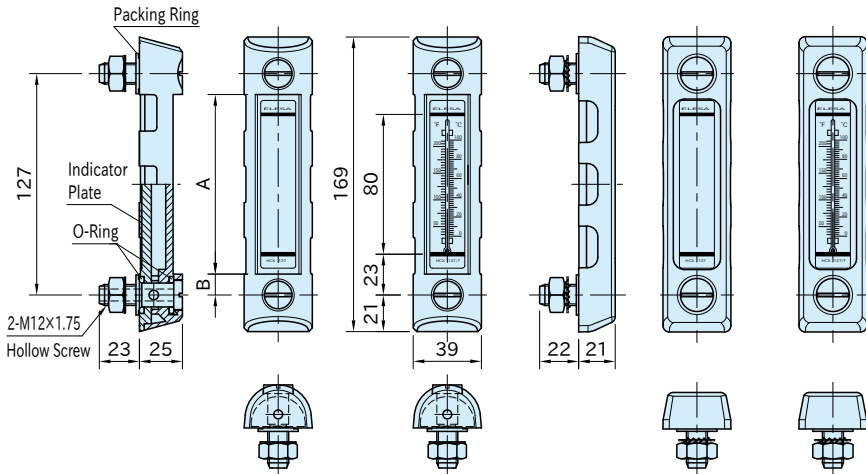
LT-NPP-J

(With Protector & Level Indicator Plate) (With Protector & Thermometer)

(With Plastic Protector & Level Indicator Plate)

(With Plastic Protector & Thermometer)

Type	Body	Indicator Plate	Setscrews / Nut	Protector	O-Ring
LR-P LT-NP	Special clear polyamide plastic (LR Type:PA-T LT Type:PA-T/AR)	Aluminum (A3104)	SUM22L steel Zinc plated finish	Die-cast zinc (ZDC1) Sand blasting finish	Nitrile rubber (NBR)
LR-PP LT-NPP				Polyamide (glass-fiber reinforced) Black matte	Fluororubber(FKM)
LR-PP-SUS LT-NPP-SUS					SUS303 stainless steel Setscrew:Glass-reinforced polyamide plastic Nut:SUS304 stainless steel
LR-PP-J LT-NPP-J					



LR-P

LT-NP

(With Protector & Level Indicator Plate)

(With Protector & Thermometer)

LR-PP

LT-NPP

LR-PP-SUS

LT-NPP-SUS

LR-PP-J

LT-NPP-J

(With Plastic Protector & Level Indicator Plate) (With Plastic Protector & Thermometer)

Part Number			Indicator Plate	A	B
Steel Hollow Screw	Stainless Steel Hollow Screw	Plastic Hollow Screw			
LR-127P	–	–	Level Indicator Plate	103	12
LT-127NP	–	–	Thermometer (0~100°C)		
LR-127PP	LR-127PP-SUS	LR-127PP-J	Level Indicator Plate	96	15
LT-127NPP	LT-127NPP-SUS	LT-127NPP-J	Thermometer (0~100°C)		

LR-P **LT-NP** (Protector: Zinc-alloy)

Part Number	Weight (g)
LR-127P	279
LT-127NP	281

LR-PP-SUS **LT-NPP-SUS** (Protector: Plastic)

Part Number	Weight (g)
LR-127PP-SUS	193
LT-127NPP-SUS	

Features

- Oil penetrates into the indicator through the two setscrews.
- The plastic material is resistant to impact and general chemical agents, and does not get discolored with light.
- Removable indicator plate for additional marking or lettering.
- The curved clear front cover provides a lens effect that magnifies the text on the indicator plate and allows reading even from sides.
- Ultrasonically welded for perfect sealing to avoid oil leak.
- The protector dampens external shocks
- **LR-P** and **LT-NP** come with **LR** **LT-N** column level indicators.

Notes

- Do not mount indicators on the water tank to avoid them from expanding due to water absorption.
- Not designed for resistance to pressure.
- LR Type : Avoid contact with alcohol chemical agents or cleaning liquid.
- Replace the packing ring with a proper one when using the indicator in oil including phosphoric oxides.
- Ensure that the indicator plate is not in direct contact with oil to avoid possible torsion or deformation.

LR-PP **LT-NPP** (Protector: Plastic)

Part Number	Weight (g)
LR-127PP	191
LT-127NPP	

LR-PP-J **LT-NPP-J** (Protector: Plastic)

Part Number	Weight (g)
LR-127PP-J	147
LT-127NPP-J	

Technical Information

Working temperature:

LR max. 90°C min. -30°C

LT max. 80°C min. -30°C

■ Installation Instructions

Max. Screw Torque

LR-P **LT-NP** **LR-PP** **LT-NPP** **LR-PP-SUS**

LT-NPP-SUS: 12N·m

LR-PP-J **LT-NPP-J**: 6N·m

