

LL

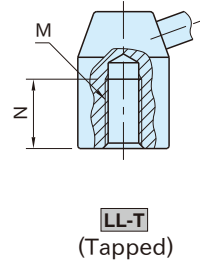
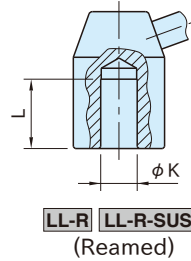
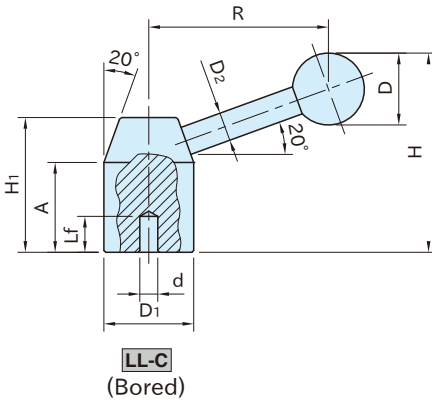
LOCKING LEVERS



LL-C LL-R LL-T
(Steel)

LL-R-SUS
(Stainless Steel)

Type	Hub	Lever Arm	Knob
LL-C	Steel (S45C)	Steel (SS400)	ABS plastic Black
LL-R	Melamine coated finish	Melamine coated finish	
LL-T	Black	Black	
LL-R-SUS	Stainless steel (SUS303)	Stainless steel (SUS303)	



Type / Size	A	B	C	D	E	F	G	Bored		Reamed		Tapped		
								H	J	K(H8)	L	M	N	
LL-C LL-R	50	50	55	25	37.5	25	8	20			10	19	M10×1.5	20
LL-T	75	75	72	30	45	30	10	25	5	10	12	22	M12×1.75	25
LL-R-SUS	100	100	90	35	52.5	35	12	32			16	25	M16×2	30

Bored (Steel)		Reamed (Steel)		Reamed (Stainless Steel)		Tapped (Steel)	
Part Number	Weight (g)	Part Number	Weight (g)	Part Number	Weight (g)	Part Number	Weight (g)
LL 50C	150	LL 50R	140	LL 50R-SUS	140	LL 50T	142
LL 75C	280	LL 75R	255	LL 75R-SUS	255	LL 75T	260
LL100C	460	LL100R	410	LL100R-SUS	410	LL100T	420

Notes:

Hub and lever arm are fixed by adhesive.