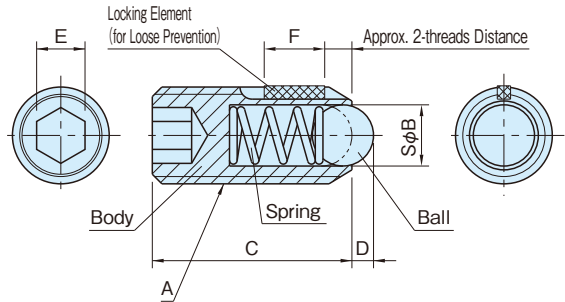


LBST-A, LBSTH-A

HEX. SOCKET BALL PLUNGERS



LBSTH-A



Body	Spring	Ball	Locking Element
Steel (SUM22L) Black oxide finish	Steel (SWPA)	Steel (SUJ2) Heat treated to Rc56-60	Polyamide plastic

Light-duty		Heavy-duty		A	B	C	D	E	F	Moment (N·m)		Weight (g)
Part Number	Force (N) Initial - Final	Part Number	Force (N) Initial - Final							Insertion	Removal	
LBST 3A	1.5- 3	LBSTH 3A	5- 7	M 3×0.5	1.5	9	0.5	1.5	4	0.1	0.07	0.23
LBST 4A	4 - 10	LBSTH 4A	12- 22	M 4×0.7	2.5	10	0.8	2	5	0.18	0.12	0.46
LBST 5A	6 - 11	LBSTH 5A	19- 30	M 5×0.8	3	14	0.9	2.5	6	0.12	0.08	1.27
LBST 6A	9 - 13	LBSTH 6A	28- 40	M 6×1	3.5	15	1	3	7	0.44	0.21	2
LBST 8A	15 - 30	LBSTH 8A	47- 73	M 8×1.25	5	18	1.5	4	8	1.1	0.38	4
LBST10A	20 - 35	LBSTH10A	66-100	M10×1.5	6	23	2	5	9	1.3	0.6	8
LBST12A	30 - 55	LBSTH12A	66-120	M12×1.75	8	26	2.5	6	10	2	1.3	12
LBST16A	65 -125	LBSTH16A	90-180	M16×2	10	33	3.5	8	14	3.9	3	31

Features:

- The nylon locking element holds the plunger securely in place after installation.
- Locking effect lasts in repeated use of up to around 20 times.
- Identification lines are marked at the back end : two for LBSTH-A type.

How To Use

Can be used with Ball Detents (BLB).

Technical Data

Heat resistance : 80°C