

# KGK, KGP, KGI

# PLASTIC KNURLED GRIP KNOBS



Original ELESA Model IZP..IZP+K..IZP+GS



**KGK**  
(Plain)

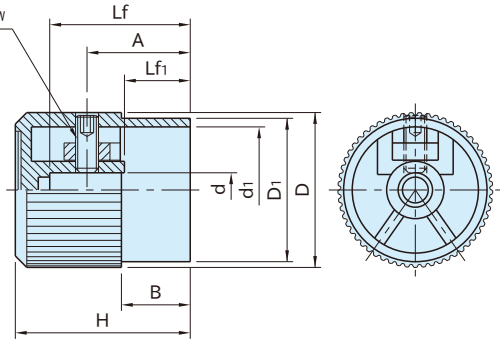


**KGP**  
(Indicator)



**KGI**  
(Graduated)

M Hex. Socket Setscrew



Knob	Boss Cap
Glass-fiber reinforced polyamide plastic	Aluminum (A1080P)
Black matte	Silver matte

Plain	Indicator	Graduated	D	H	d (H10)	Lf	Lf1	D1	d1	M	A	B	Weight (g)
Part Number	Part Number	Part Number											
<b>KGK25</b>	<b>KGP25</b>	<b>KGI25</b>	27	30	6	24	12	25	22	M4x0.7	18	12	10
<b>KGK30</b>	<b>KGP30</b>	<b>KGI30</b>	32	38	8	30	13	30	25		23	13	20
<b>KGK35</b>	<b>KGP35</b>	<b>KGI35</b>	35	45	10	37	15	33	28	M5x0.8	27	15	25
<b>KGK40</b>	<b>KGP40</b>	<b>KGI40</b>	40	52	12	44	16	38	33		32	16	33

## Features:

- A setscrew hole is provided on the side of the knob for installation.
- Resistant to acids, alkalis and greases.
- **KGP** **KGI** with an indicator and graduations. (laser-processed)

## Notes :

Use in hot or highly humid circumstances can deteriorate the plastic material properties.

## Technical Information :

Working temperature : Between  $-30^{\circ}\text{C}$  and  $130^{\circ}\text{C}$