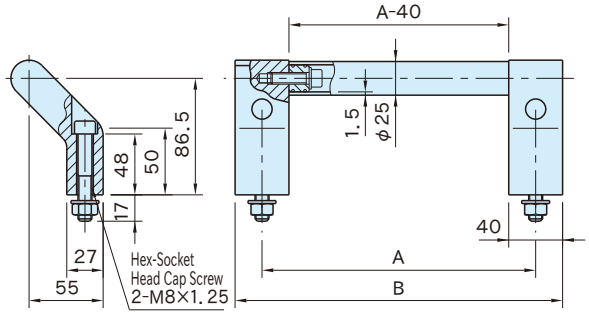


**HH25** **STAINLESS STEEL EQUIPMENT HANDLES**



Handle	Shank	Mounting Screw, Nut & Washer
Stainless steel (SUS304)	Aluminum (A6N01S) Anodized finish Satin finish Black matte	Stainless steel (SUS304)

Part Number	A	B	Load Capacity (N)	Weight (g)
<b>HH25-200-SUS</b>	200	240	1000	953
<b>HH25-300-SUS</b>	300	340		1,041
<b>HH25-400-SUS</b>	400	440		1,128
<b>HH25-500-SUS</b>	500	540		1,216
<b>HH25-600-SUS</b>	600	640		1,303