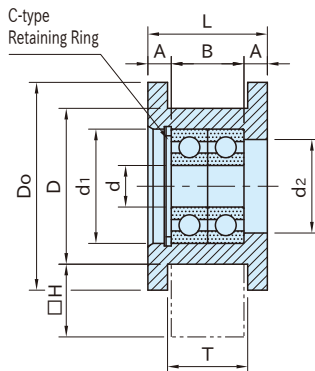


# GRL-S2-H

## DOUBLE-FLANGED GUIDE ROLLERS (DOUBLE BEARINGS)



Body	Bearing/Retaining Ring
S45C steel Electroless nickel plated	Steel

Part Number	d	Do	D	H	d1	d2	L	T	A	B	Bearing Type	Weight (g)	Applicable Roller Screws
<b>GRL30S2-H</b>	6	30	22	9	17	13	18	10	3	12	606ZZ×2	50	RLB0612
<b>GRL40S2-H</b>	8	40	30	13	22	18	23	14	4.5	14	608ZZ×2	125	RLB0814
<b>GRL50S2-H</b>	10	50	36	17	26	22	27	18	5.5	16	6000ZZ×2	215	RLB1016
<b>GRL60S2-H</b>	12	60	42	22	32	26	33	23	6.5	20	6201ZZ×2	350	RLB1220
<b>GRL70S2-H</b>	15	70	46	26	35	29	39	28	8.5	22	6202ZZ×2	510	RLB1522

### Features

- Use as rollers for sliding doors or carriers.
- Heavy-duty
- This product can accept a polished square steel bar that is available commercially.

### Technical Information

#### Load Rating of Bearings

Bearing Type	Basic Load Rating Cr(N)	Basic Static Load Rating Cor(N)
<b>606ZZ×2</b>	3660	1360
<b>608ZZ×2</b>	5340	2200
<b>6000ZZ×2</b>	7370	3190
<b>6201ZZ×2</b>	11010	4940
<b>6202ZZ×2</b>	12390	5990