



# GDX INDEXING PLUNGERS



Stainless Steel

Heat resistance: 180°C



**GDX-L**

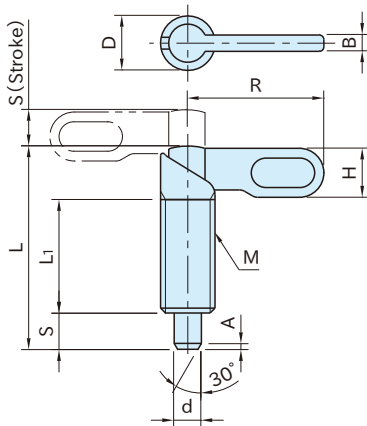
(Steel, Without Nut)



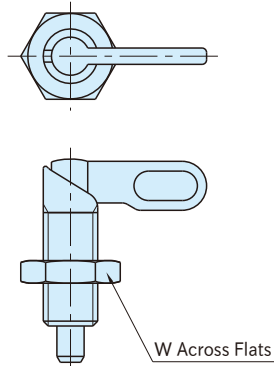
**GDX-LW-SUS**

(S. Steel, With Nut)

Type	Body	Knob	Spring	Nose
<b>GDX-L</b>	Steel (SUM22L) Black oxide finish	Steel (SUM22L) Black oxide finish	Stainless steel (SUS302WPA)	Steel (SUM22L) Heat treated to Rc58-62
<b>GDX-LW</b>		Steel (SUM22L) Black oxide finish		
<b>GDX-LP</b>	Steel (SUM22L) Powder coated Black	Steel (SCS13A)		Stainless steel (SUS303)
<b>GDX-LWP</b>	Steel (SUM22L) Powder coated Black			
<b>GDX-L-SUS</b>	Stainless steel (SUS303)	Steel (SCS13A)		Stainless steel (SUS303)
<b>GDX-LW-SUS</b>		Steel (SCS13A)		Stainless steel (SUS303)



**GDX-L GDX-LP GDX-L-SUS**  
(Steel, Without Nut)



**GDX-LW GDX-LWP GDX-LW-SUS**  
(S. Steel, With Nut)

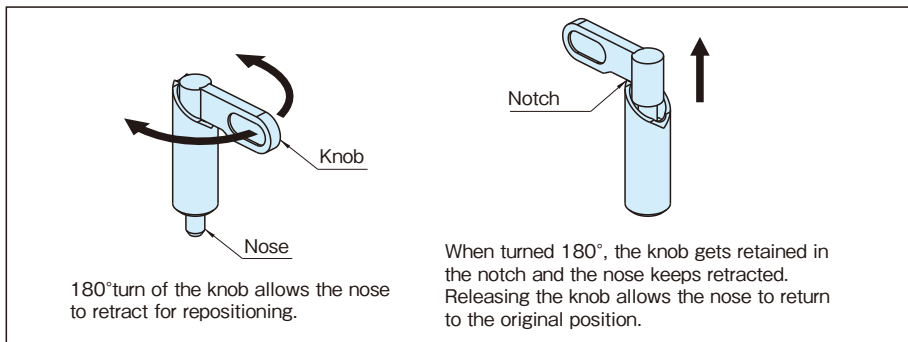
Type / Size	M	d ( <sup>-0.02</sup> / <sub>-0.04</sub> )	L <sub>1</sub>	S	A	D	L	R	H	B	W	Force (N) Initial - Final
<b>GDX-L</b>	M10×1.5	4	20	6	1	10	38	25	9	3	17	8~14
		5			1.3							
		6			1.8							
<b>GDX-LW</b>	M12×1.75	5	25	8	1.3	12	46.8	30	10.8	3.6	19	8~15
		6			1.8							
		8			2.3							
<b>GDX-LP</b>	M16×2	6	32	10	1.8	16	60.4	40	14.4	4.8	24	15~35
		8			2.3							
<b>GDX-LWP</b>	M20×2.5	6	35	12	1.8	20	70	50	18	6	30	20~60
		8			2.3							
<b>GDX-L-SUS</b>	M20×2.5	8	35	12	2.3	20	70	50	18	6	30	20~60
		10			2.8							
<b>GDX-LW-SUS</b>	M20×2.5	8	35	12	2.3	20	70	50	18	6	30	20~60
		10			2.8							
<b>GDX-LW-SUS</b>	M20×2.5	12	35	12	3	20	70	50	18	6	30	20~60

**GDX-L GDX-LW GDX-LP GDX-LWP (Steel)**

Black Oxidized Knob				Power Coated Knob			
Without Nut		With Nut		Without Nut		With Nut	
Part Number	Weight(g)	Part Number	Weight(g)	Part Number	Weight(g)	Part Number	Weight(g)
GDX12L- 5	29	GDX12LW- 5	38	GDX12LP- 5	30	GDX12LWP- 5	39
GDX12L- 6	30	GDX12LW- 6	39	GDX12LP- 6	30	GDX12LWP- 6	39
GDX12L- 8	31	GDX12LW- 8	40	GDX12LP- 8	31	GDX12LWP- 8	40
GDX16L- 6	70	GDX16LW- 6	87	GDX16LP- 6	70	GDX16LWP- 6	87
GDX16L- 8	71	GDX16LW- 8	88	GDX16LP- 8	72	GDX16LWP- 8	89
GDX16L-10	73	GDX16LW-10	90	GDX16LP-10	74	GDX16LWP-10	91
GDX20L- 8	134	GDX20LW- 8	168	GDX20LP- 8	135	GDX20LWP- 8	169
GDX20L-10	137	GDX20LW-10	170	GDX20LP-10	137	GDX20LWP-10	171
GDX20L-12	140	GDX20LW-12	174	GDX20LP-12	141	GDX20LWP-12	174

**GDX-L-SUS GDX-LW-SUS (Stainless Steel)**

Without Nut		With Nut	
Part Number	Weight(g)	Part Number	Weight(g)
GDX12L- 5-SUS	29	GDX12LW- 5-SUS	38
GDX12L- 6-SUS	30	GDX12LW- 6-SUS	39
GDX12L- 8-SUS	31	GDX12LW- 8-SUS	40
GDX16L- 6-SUS	70	GDX16LW- 6-SUS	87
GDX16L- 8-SUS	71	GDX16LW- 8-SUS	88
GDX16L-10-SUS	73	GDX16LW-10-SUS	90
GDX20L- 8-SUS	134	GDX20LW- 8-SUS	168
GDX20L-10-SUS	137	GDX20LW-10-SUS	170
GDX20L-12-SUS	140	GDX20LW-12-SUS	174

**How To Use**


• Heat resistance : 180°C

**Nose Strength Data**

Nose Dia.	Shearing Force Capacity
5	589N
6	848N
8	1507N
10	2355N
12	3393N