

FKF,FKR

METAL ADJUSTABLE HANDLES



FKF-BR
(Tapped)



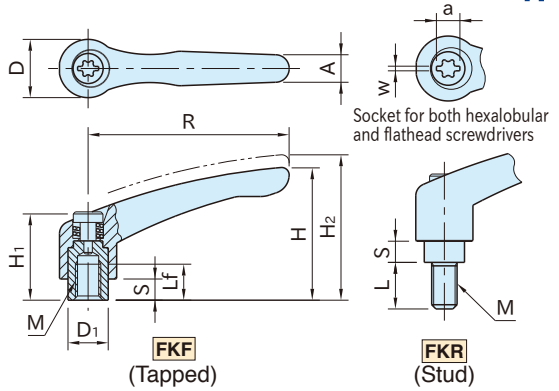
FKF-OG
(Tapped)



FKR-SV
(Stud)



FKR-RE
(Stud)



Note : For thread length (L) of 70mm or more, effective thread length is 60mm.

★Key Point

Economy handle made of die-cast zinc.

Type	Handle	Locking Element
FKF	ZDC1 die-cast zinc, Painted	Steel (SUM22L)
FKR	Black, orange, silver or red	Black oxide finish

Size	No. of Teeth	R	H	D	H ₁	H ₂	M	D ₁	S	A	a	w	Screwdriver Size	
													Flathead	Hexalobular socket
FKF	5	16	40	31	14	24.5	M 5×0.8	10	4	7	5.5	1	∅5.5	No.20 (T20)
	6	8	65	42.5	19	28.5	M 6×1							
FKR	10	22	80	54.5	22	37	M 8×1.25	13.5	6.5	9.5	7.5	1.5	∅7 (∅6)	-
	12	24	95	63	27.5	43	M10×1.5							
	16	26	110	73	32	49	M12×1.75							
							M16×2	23	12	15				

FKF (Tapped)

Clockwise Clamping	Counterclockwise Clamping	Lf	Weight (g)
Part Number	Part Number		
FKF 5-**	-	9	40
FKF 6-**	FKF 6L-**	12	90
FKF 8-**	FKF 8L-**	14	130
FKF10-**	FKF10L-**	17	210
FKF12-**	-	23	330
FKF16-**	-		

Note: Specify the handle color code in **.

How To Adjust Handle Position



Lift the handle to disengage the teeth from the locking element.



Turn the lifted handle to a desired position.



When the handle is released, the return spring automatically engages the teeth again for further tightening. (The number of teeth is 20. The teeth engage with the locking element every $18^\circ = 360^\circ / 20$.)

FKR (Stud)

Clockwise Clamping	Counterclockwise Clamping	L	Weight (g)
Part Number	Part Number		
FKR 5×10- **		10	40
FKR 5×15- **		15	41
FKR 5×20- **		20	42
FKR 5×25- **		25	43
FKR 5×30- **		30	45
FKR 5×40- **		40	47
FKR 5×50- **		50	49
FKR 6×10- **	FKR 6×10L- **	10	40
FKR 6×15- **	FKR 6×15L- **	15	41
FKR 6×20- **	FKR 6×20L- **	20	42
FKR 6×25- **	FKR 6×25L- **	25	43
FKR 6×30- **	FKR 6×30L- **	30	45
FKR 6×40- **		40	47
FKR 6×50- **		50	49
FKR 8×15- **	FKR 8×15L- **	15	100
FKR 8×20- **	FKR 8×20L- **	20	101
FKR 8×25- **	FKR 8×25L- **	25	102
FKR 8×30- **	FKR 8×30L- **	30	103
FKR 8×40- **	FKR 8×40L- **	40	110
FKR 8×50- **		50	115
FKR 8×60- **		60	120

Note: Specify the handle color code in ******.

Clockwise Clamping	Counterclockwise Clamping	L	Weight (g)
Part Number	Part Number		
FKR10×20- **	FKR10×20L- **	20	150
FKR10×25- **	FKR10×25L- **	25	153
FKR10×30- **	FKR10×30L- **	30	157
FKR10×40- **	FKR10×40L- **	40	162
FKR10×50- **	FKR10×50L- **	50	170
FKR10×60- **		60	170
FKR12×25- **		25	235
FKR12×30- **		30	240
FKR12×40- **		40	246
FKR12×50- **		50	252
FKR12×60- **		60	260
FKR12×70- **		70*)	270
FKR12×80- **		80*)	280
FKR12×90- **		90*)	290
FKR16×30- **		30	380
FKR16×40- **		40	390
FKR16×50- **		50	405
FKR16×60- **		60	420
FKR16×70- **		70*)	430
FKR16×80- **		80*)	440
FKR16×90- **		90*)	450

*) Effective thread length is 60mm.

Ordering Example (Specify the color code.)

<p>FKF6 - BR</p> <p>Part number Color code</p> <p>Note: The above part number indicates FKF6 with black handle.</p>	Color code	Color of Handle
	BR	Black
	OG	Orange
	SV	Silver
	RE	Red

※ Available with stainless steel locking element or stud on request.

For quote request or ordering, add "SUS" at the end of the part number as exemplified below.

Ex. For tapped type, black : FKF-5BR-SUS

For stud type, orange : FKR 5x10-OG-SUS

Technical Information

Tightening Capacity (stud type)

Size	FKR					
	5	6	8	10	12	16
Thread Diameter	M5	M6	M8	M10	M12	M16
Turning Radius (mm)	30	30	55	70	85	100
Load Capacity (N)	135	215	290	445	640	1300
Allowable Tightening Force(kN)	3.1	4.3	8	12.8	18.6	33.5

