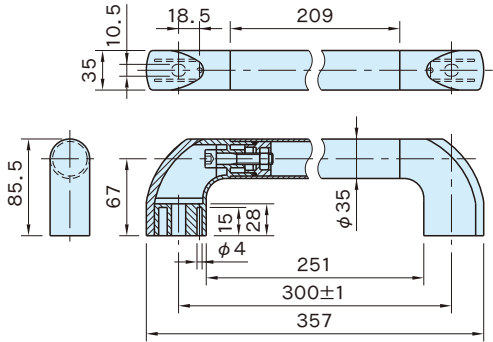


ETH ERGOSTYLE TUBULAR HANDLES

ELESA Original Design ETH.



Part Number	Weight (g)
ETH300	397

Tube	Handle Shanks	Shank Cap
Aluminum Painted Black matte	Glass-fiber reinforced polyamide plastic Black matte	Polyamide plastic Glossy Finish Black, orange, gray, yellow, light blue or red

- Tightening the screws inside the shanks prevents the handle from rotating.
- Recommended screw torque : 15N·m
- Shank caps are available in 6 colors.
- A body and caps are not supplied in assembly (packed separately).
- Working temperature : Between -20°C and 100°C

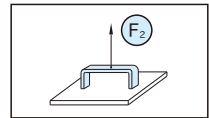
How To Install

- For front mounting, use M10 hex. socket screws.
- For back mounting, use M10 screws and hex. nuts.

Strength Data

F _z [N]	
Allowable Load	Breaking Load
1,500	7,800

Load Capacity



The stated values denote the average of loads measured in breaking tests under normal working conditions.

Ordering Example

ETH300 - BR Part Number Color Code	Color Code	Cap Color
	OG	Orange
	GR	Gray
	YE	Yellow
	LB	Light Blue
	BR	Black
RE	Red	

