

EKK ERGOSTYLE KNURLED KNOBS

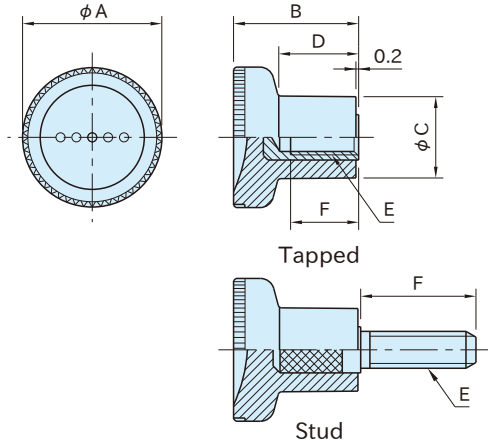
ELESA Original Design EKK.



Tapped



Stud



Knob	Insert	Stud
Polyamide plastic Black matte, orange matte, gray matte, yellow matte, light blue matte or red matte	Brass	Steel (SUM22L) Zinc plated finish

Size	A	B	C	D	
EKK	16	16	13	8.5	8.5
	18	18	15.5	10.5	
	21	21	18	12.5	10.5
	21A				
	25	25	22.5	14.5	14
	25A				
	31	31	27	18.5	17
	31A				

Tapped

Part Number	Part Number					E	F	Weight (g)
	Black	Orange	Gray	Yellow	Light blue			
EKK16	EKK16 -OG	EKK16 -GR	EKK16 -YE	EKK16 -LB	EKK16 -RE	M 3×0.5	6	7
EKK18	EKK18 -OG	EKK18 -GR	EKK18 -YE	EKK18 -LB	EKK18 -RE	M 4×0.7		6
EKK21	EKK21 -OG	EKK21 -GR	EKK21 -YE	EKK21 -LB	EKK21 -RE	M 5×0.8	10	8
EKK21A	EKK21A-OG	EKK21A-GR	EKK21A-YE	EKK21A-LB	EKK21A-RE			7
EKK25	EKK25 -OG	EKK25 -GR	EKK25 -YE	EKK25 -LB	EKK25 -RE	M 6×1	12	11
EKK25A	EKK25A-OG	EKK25A-GR	EKK25A-YE	EKK25A-LB	EKK25A-RE	10		
EKK31	EKK31 -OG	EKK31 -GR	EKK31 -YE	EKK31 -LB	EKK31 -RE	M 8×1.25	15	20
EKK31A	EKK31A-OG	EKK31A-GR	EKK31A-YE	EKK31A-LB	EKK31A-RE	M10×1.5		17

Stud

Part Number	E	F	Weight (g)
Black			
EKK21 ×10	M 5×0.8	10	7
EKK21 ×16		16	8
EKK21 ×20		20	9
EKK21A×16	M 6×1	16	10
EKK21A×20		20	11
EKK21A×30		30	13
EKK25 ×16		16	13
EKK25 ×20		20	14
EKK25 ×25		25	15
EKK25 ×30	M 8×1.25	30	16
EKK31 ×20		20	26
EKK31 ×25		25	28
EKK31 ×30		30	30
EKK31 ×40	M10×1.5	40	32
EKK31A×30		30	34
EKK31A×40		40	40

·Use in hot or highly humid circumstances can deteriorate the plastic material properties.

·Working temperature : Between -30°C and 130°C



Orange



Gray



Yellow



Light blue



Black



Red