

EFPH-SC ERGOSTYLE PULL HANDLES

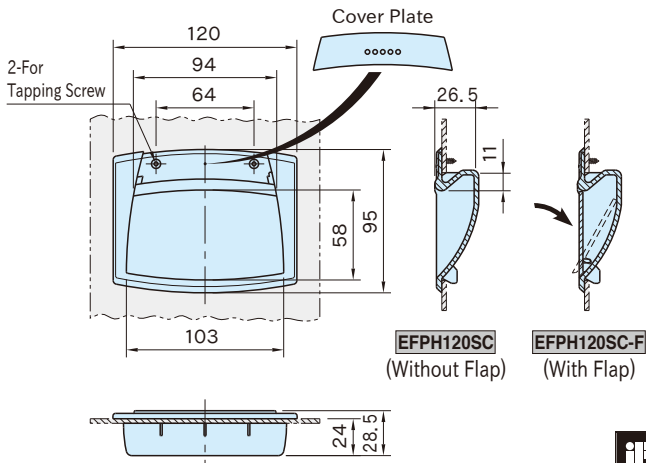
ELESA Original Design EPR-SH, EPR/F-SH



EFPH120SC
(Without Flap)



EFPH120SC-F
(With Flap)



| Part Number | Handle | Cover Cap | Flap |
|--------------------|---|---|----------------------------------|
| EFPH120SC | Glass-fiber reinforced polyamide plastic Black matte | Polyamide plastic Glossy Finish Black, orange, gray, yellow, light blue or red | - |
| EFPH120SC-F | | | Polyamide plastic Black matte |

| Part Number | Weight (g) |
|--------------------|------------|
| EFPH120SC | 55 |
| EFPH120SC-F | 70 |

Feature

- Use two self-tapping screws (nominal dia. 2.9mm, 9.5mm long) for installation

Caution

- Use in hot or highly humid circumstances can deteriorate the plastic material properties.
- Cover caps are available in 6 colors.
- A body and a cover cap are not supplied in assembly (packed separately)

Supplied With

2 of self-tapping screws (nominal dia. 2.9mm, 9.5mm long, stainless steel)

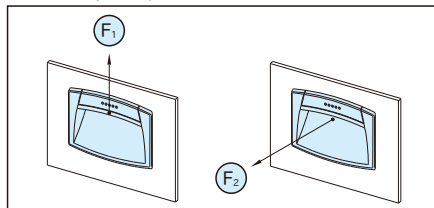
Technical information

Working temperature : Between -30°C and 100°C

Strength Data

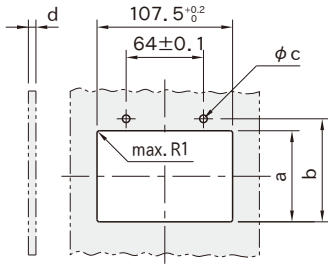
| Part Number | F ₁ [N] | F ₂ [N] |
|--------------------|--------------------|--------------------|
| EFPH120SC | 1200 | 400 |
| EFPH120SC-F | | |

Load Capacity



The stated values denote the average of loads measured in breaking tests under normal working conditions.

Mounting Cutout

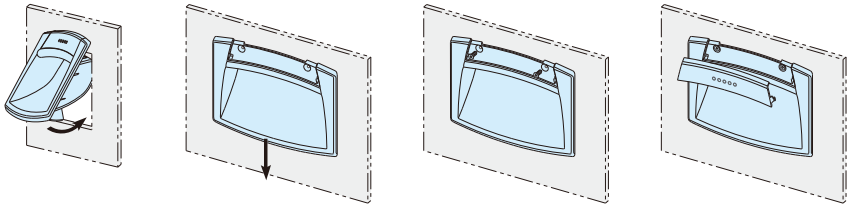


| d(Panel Thickness) | a (+0.5) | b (±0.1) | c (±0.02) |
|--------------------|----------|----------|-----------|
| Over 1 to 1.2 | 73 | 76.8 | 2.5 |
| Over 1.2 to 1.5 | | 77 | 2.55 |
| Over 1.5 to 2 | | 77.2 | 2.6 |
| Over 2 to 2.5 | 74 | 77.5 | 2.65 |
| Over 2.5 to 3 | | 77.8 | |
| Over 3 to 3.5 | | 78.1 | |
| Over 3.5 to 4 | 75 | 78.4 | 2.7 |
| Over 4 to 4.5 | | 78.7 | |
| Over 4.5 to 5 | | 79 | |

Deburr the edges before installing a handle.

When installing on a panel of thickness over 2.5mm, use an electric screwdriver to tighten self-tapping screws. If you do not use an electric screwdriver, provide M3 tapped holes in the panel to use M3x6 countersunk flat head screws, or drill 3.2mm-dia. holes to use M3x10 countersunk head screws and nuts.

Installation Instructions



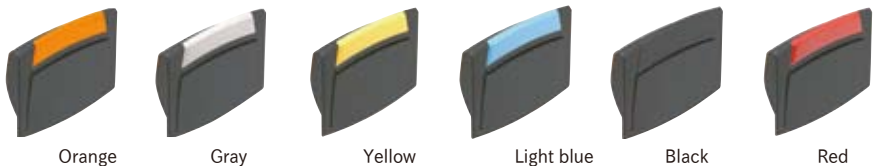
1. Set the handle's upper rear part into the cutout, and then push in its lower part.
2. Press down the handle lightly.
3. Tighten two self-tapping screws.
4. Install a cover cap by pressing first on the ends and then on the central part.

Ordering Example

EFPH120SC- BR

Part Number Color Code

| Color Code | Cover-Cap Color |
|------------|-----------------|
| OG | Orange |
| GR | Gray |
| YE | Yellow |
| LB | Light blue |
| BR | Black |
| RE | Red |



Orange

Gray

Yellow

Light blue

Black

Red