

EFH

PLASTIC HINGES



Original ELESA Model CFV.



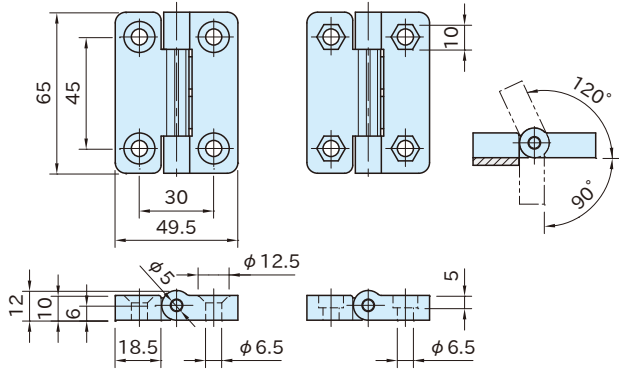
EFH5065SHP

(Countersunk)



EFH5065EHP

(Counterbored)



EFH5065SHP
(Countersunk)

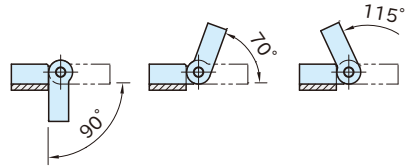
EFH5065EHP
(Counterbored)

Body	Pivot Pin
Polyamide(glass-fiber reinforced) Black matte	Stainless steel (SUS303)

Part Number	Weight (g)
EFH5065SHP	38
EFH5065EHP	38

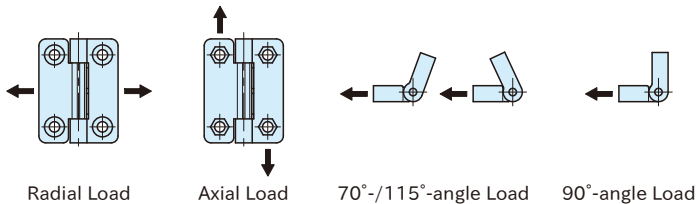
Features:

- Four choices of opening position : -90° , 0° , 70° and 115°
- Holding torque at the above positions : $3\text{N}\cdot\text{m}$



Technical Information

- Pivot angle : Up to 210°
- Working temperature : 0 to 80°C



Part Number	Radial Load		Axial Load		70°-/115°-angle Load		90°-angle Load		Max. Screw Torque (N·m)
	Allowable Load Er (N)	Breaking Load Rr (N)	Allowable Load Ea (N)	Breaking Load Ra (N)	Allowable Load E70, E115 (N)	Breaking Load R70, R115 (N)	Allowable Load E90 (N)	Breaking Load R90 (N)	
EFH5065SHP	2070	5060	1320	4480	2150	3170	1630	3380	4
EFH5065EHP	1940	4900	1520	3840	1430	3660	970	3140	