

EDHN

PLASTIC SOLID DISK HANDWHEELS



Original ELESA Model VDS.



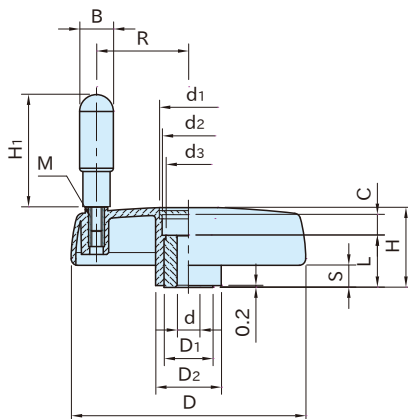
EDHN-R

(With Revolving Handle)



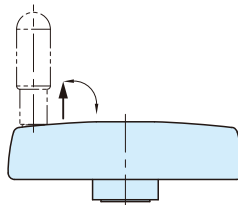
EDHN-F

(With Revolving Fold-Away Handle)



EDHN-R

(With Revolving Handle)



EDHN-F

(With Revolving Fold-Away Handle)

Center cap color is selectable from 6 colors.



Handwheel	Hub	Center cap		Handle
		Un-selectable	Color Selectable (125-175 dia. Handwheels)	
Polypropylene plastic Black matte	Steel(SUM24L) Black oxide finish	Polyacetal plastic Light gray (Only for EDHN80F Polypropylene plastic Black matte)	Polypropylene plastic Black matte, orange matte, gray matte, yellow matte, light blue matte or red matte	Polyamide plastic Black matte

Type / Size	D	H	D ₂	D ₁	d (H7)	d ₁	d ₂	d ₃	S	L	C	
EDHN-R	80R	83	29	26	18	8	21	19	16	9	17	8
	80F		38	25			16.5	13.5		18.5		3.5
EDHN-F	100	102	34	30	22	10	27	25	20	10	22	9
	125	125	39.5	35	26	12	31	28	24	11	27	11
	150	150	44	38	26	14	34	30	24	12	30	10
	175	176	49	44	35	16	39	35	33	13	28	16
	200	200	53	50	40	20	44	40	38	14	36	13
250	250	60	57	40	20	50	48	38	17	36	19	

EDHN-R(With Revolving Handle)					EDHN-F(With Revolving Fold-Away Handle)					
Part Number	B	H ₁	M	R	Weight(g)	Part Number	B	H ₁	R	Weight(g)
EDHN 80R	15.5	45	M 6×1	30.5	106	EDHN 80F	15.5	45	28	133
EDHN100R	18	60		39	174	EDHN100F			39	170
EDHN125R				49	270	EDHN125F			18	60
EDHN125R.**	22	65	M 8×1.25	58	379	EDHN150F	22	65		
EDHN150R						EDHN150R.**				
EDHN175R	24	80	M10×1.5	70	500	EDHN175F	24	80	70	577
EDHN175R.**						EDHN175F.**				
EDHN200R	25	90		81	674	EDHN200F	25	90	81	710
EDHN250R			104						934	EDHN250F

** Complete with color code for a center cap.

Ordering Example for 125-175 diameter handwheels

EDHN125R - BR

Part Number Color Code

Color Code	Center-Cap Color
OG	Orange
GR	Gray
YE	Yellow
LB	Light blue
BR	Black
RE	Red

Orange
Gray
Yellow
Light blue
Black
Red

Features

- Resistant to impact shock, and many acids, alkalis and greases.
- Ergonomically designed rim provides a more comfortable grip.
- The boss hole can be covered easily with a attached center cap by press-fit.
- The center cap can be removed by pushing it up from below.
- EDHN-F** The handle can fold down after being pulled upward. Perfect for applications where limited space or safety reasons demand that the handle be folded away.

Notes

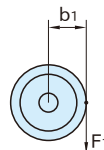
- The center cap of 125-175 diameter handwheels is available from 6 colors. The standard polyacetal cap (light gray) will be included together.
- A handwheel and a colored center cap are not supplied in assembly. (packed separately)

Technical Information

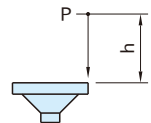
Working temperature : 0°C to 80°C

Strength Data

Wheel Dia.	Max. Torque T ₁ (N·m)	Impact Strength S ₁ (J)	
		EDHN-R	EDHN-F
80	34	6	6
100	60	13	14
125	125	25	
150	180	26	15
175	195		20
200	320	27	27
250	500	30	30



$$T_1 [\text{N}\cdot\text{m}] = F_1 [\text{N}] \times b_1 [\text{m}]$$



$$S_1 [\text{J}] = P [\text{N}] \times h [\text{m}]$$

※P=6.7Nhard ball