

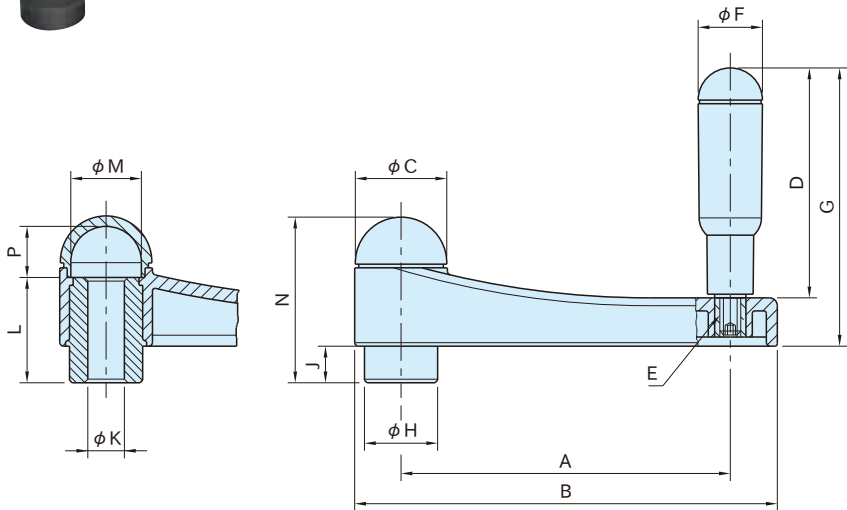
EBCH-R ERGOSTYLE CRANK HANDLES



ELESA Original Design EKH.



Crank	Hub	Cap	Handle
Glass-fiber reinforced polyamide plastic Black matte	Steel (SUM24L) Black oxide finish	Polyamide plastic Black matte Orange, gray, yellow, light blue or red	Polypropylene plastic Black matte



Part Number	A	B	C	D	E	F	G	H	J	K (H7)	L	M
EBCH100R	101	131.5	30.5	65	M8X1.25	22	81	24	10	12	33	23.5
EBCH125R	126	161.5	35	80		24	98.5	28	14	14	40	26.5

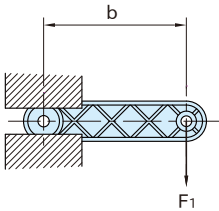
Part Number	N	P	Weight (g)
EBCH100R	52.5	17	231
EBCH125R	62	18	316

- Ribbed structure for heavy-duty applications.
- Working temperature : Between 0°C and 80°C

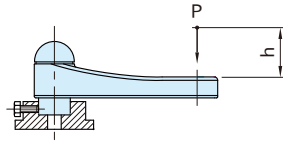
- Use in hot or highly humid circumstances can deteriorate the plastic material properties.
- A hub cap and a handle are packed separately and not delivered in assembly.

Strength Data

Turning Radius A	Max. Torque T _i (N·m)	Impact Strength S _i (J)
101	200	27
126	350	45



$$T_i[\text{N}\cdot\text{m}] = F[\text{N}] \times b[\text{m}]$$



$$S_i[\text{J}] = P[\text{N}] \times h[\text{m}]$$

※P=6.7N (hard ball)

Ordering Example(specify a color of the center cap)

EBCH100R - BR

Part Number

Color Code

Color Code	Hub-Cap Color
OG	Orange
GR	Gray
YE	Yellow
LB	Light blue
BR	Black
RE	Red



Orange



Gray



Yellow



Light blue



Black



Red