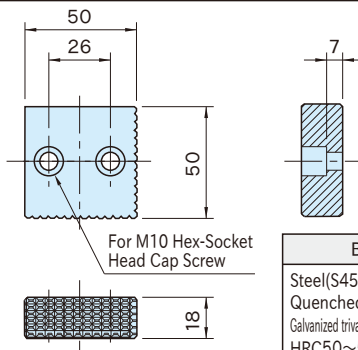


CLS50FB

FIXED BLOCK



Part Number	Weight (kg)
CLS50FB	0.4

Body
Steel(S45C) Quenched & tempered Galvanized trivalent chromate treated HRC50~55

How To Use

- Available with either serrated or smooth faces to hold different figure workpieces.
- **CLS-T** T-Nuts to set in the T-slots are available separately.