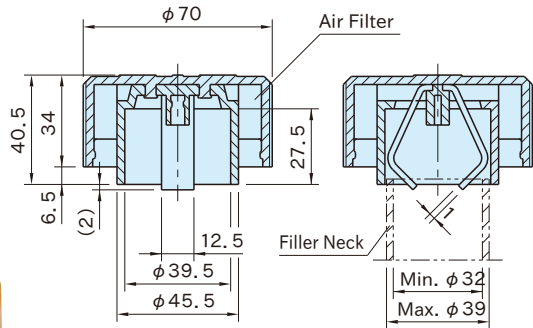


# BN-38S

# FILLER BREATHER PLUGS

ELESA Original Design SFN.PF+F



Cap	Connector	Spring	Air Filter
Polyamide plastic Orange Matte	Polyamide plastic Black Matte	Hard Drawn Steel Wire	Polyurethane plastic Filtration: 40 $\mu$

Part Number	Filler Neck Dia.	Weight (g)
<b>BN-38S</b>	O.D. : Max. 39 I.D. : Min. 32	67

- Push-fit mounting.
- The ventilating mechanism allows letting in and out air freely if the plug remains mounted.
- The plug's breathing feature allows adjusting a big difference in air pressure that can be temporarily made by sharp temperature rise or oil return, between inside and outside the tank. Perfect for use on boosters and decompressors.
- The built-in air filter blocks oil fume from outflowing to avoid environmental contamination.
- Avoid using these plugs on water tanks, where plugs will expand due to water absorption.
- Unresistant to gasoline and alcohol.
- Working temperature : Between  $-30^{\circ}\text{C}$  and  $100^{\circ}\text{C}$