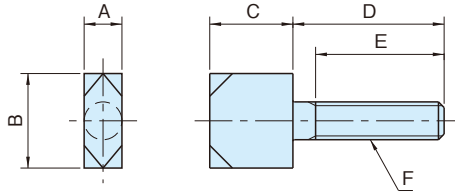


# BJ780

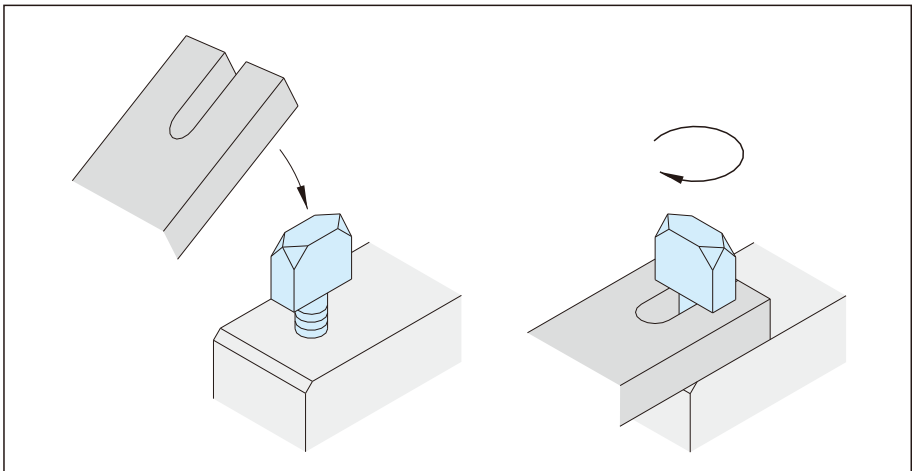
# QUARTER-TURN SCREWS



Material & Finish	
Steel (SUM24L)	
Carburized-hardened	
Black oxide finish	

Part Number	A	B	C	D	E	F	Weight (g)
<b>BJ780-05001</b>	5	16	15	25	20	M 5×0.8	11
<b>BJ780-06001</b>	6	19	20	30	25	M 6×1.0	22
<b>BJ780-08001</b>	8	25.5	20	40	35	M 8×1.25	41
<b>BJ780-10001</b>	10	25.5	25	40	35	M10×1.5	62
<b>BJ780-12001</b>	12	32	25	45	40	M12×1.75	106

### Application Example



Latch screw that allows latching slotted swing-away lids and jig plates.