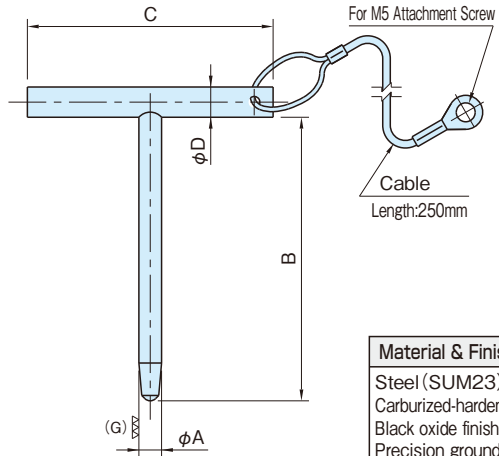


BJ772-N

T PINS



Material & Finish
Steel (SUM23)
Carburized-hardened
Black oxide finish
Precision ground

Metric

Part Number	A ($\begin{smallmatrix} 0 \\ -0.013 \end{smallmatrix}$)	B	C	D	Weight (g)
BJ772-04001N	4	88	64	8	35
BJ772-05001N	5	76	64	8	40
BJ772-06001N	6	76	64	10	55
BJ772-08001N	8	88	76	11	95
BJ772-08002N		152			120
BJ772-10001N	10	76	64	13	110
BJ772-10002N		152			88
BJ772-12001N	12	102	88	16	230
BJ772-12002N		152			275
BJ772-16001N	16	152	88	22	505

Inch

Part Number	A ($\begin{smallmatrix} 0 \\ -0.0005 \end{smallmatrix}$)	B	C	D	Weight (g)
BJ772-1/4-1N	1/4	2	2-1/2	3/8	50

- Removable precision ground locating devices for aligning workpieces in jigs or fixtures.

