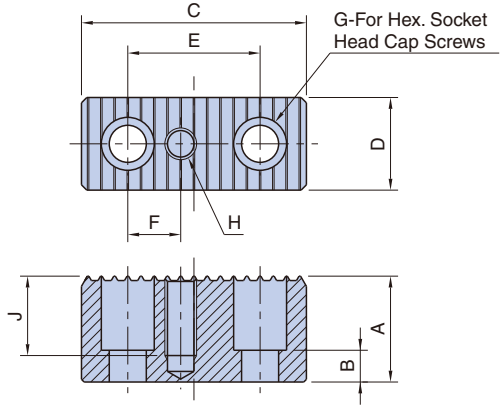


# BJ500

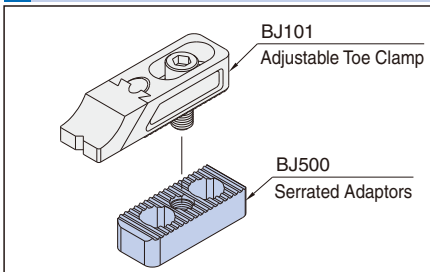
# SERRATED ADAPTORS



Material : S45C steel  
Finish : Black oxide

Part Number	A	B	C	D	E	F	G	H	J	Weight (kg)
BJ500-08516	16	7	50	25	25	12.5	M 8	M 8x1.25	Through	0.13
BJ500-08520	20	9								0.17
BJ500-08525	25	13								0.21
BJ500-08532	32	20								0.27
BJ500-08540	40	28								0.33
BJ500-08550	50	38	0.42							
BJ500-12020	20	5	85	35	50	20	M12	M12x1.75	Through	0.34
BJ500-12025	25	10								0.45
BJ500-12032	32									0.57
BJ500-12040	40	12								0.71
BJ500-12050	50									0.9
BJ500-16025	25	6	90	40	50	25	M16	M16x2	Through	0.46
BJ500-16032	32	13								0.62
BJ500-16040	40	15								0.78
BJ500-16050	50									0.98
BJ500-16063	63									1.24

## How To Use



Perfect for raising and firmly positioning Adjustable Toe Clamps(BJ101) or Adjustable Side Clamps(BJ102).