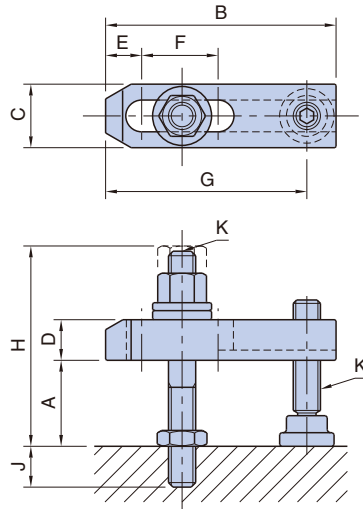


BJ153-B

TAPER-NOSE CLAMP ASSEMBLIES, B Type



[Stud]

Material : SCM435 steel
Heat Treat : Quenched and tempered
Finish : Black oxide

[Others]

Material : S45C steel
Heat Treat : Quenched and tempered
Finish : Black oxide

Part Number	A	B	C	D	E	F	G	H	J	K	Clamping Force (N) At Max. - Min. End Projection	Allowable Screw Torque (N·m)	Weight (kg)	
								Max.						
BJ153-08040B1	20 - 35	40			10	6	32	64	16		5,300 - 7,300		0.13	
BJ153-08040B2	35 - 55							81	20					0.14
BJ153-08040B3	60 - 75							105	20					
BJ153-08050B1	20 - 35	50	19	12	14	42	64	16	M 8x1.25	4,000 - 7,600	17	0.14		
BJ153-08050B2	35 - 55						81	20					0.15	
BJ153-08050B3	60 - 75						105	20						0.17
BJ153-08063B1	20 - 35	63		12	27	55	64	16		3,100 - 8,300		0.15		
BJ153-08063B2	35 - 55						81	20					0.16	
BJ153-08063B3	60 - 75						105	20						0.18
BJ153-10050B1	25 - 50	50		12	8	40	80	20		8,500 - 11,900		0.22		
BJ153-10050B2	50 - 80						109						34	
BJ153-10063B1	25 - 50	63		12	18	53	80	20		6,400 - 12,200		0.24		
BJ153-10063B2	50 - 80						109						0.28	
BJ153-10080B1	25 - 50	80	25	15	32	70	83	20	M10x1.5	7,400 - 17,700		0.31		
BJ153-10080B2	50 - 75						108						0.35	
BJ153-10100B1	25 - 50	100		16	40	90	83	20		8,800 - 18,800		0.36		
BJ153-10100B2	50 - 75						108						0.4	
BJ153-10125B1	25 - 50	125		16	50	115	83	20		9,800 - 19,600		0.42		
BJ153-10125B2	50 - 75						108						0.46	

Part Number	A	B	C	D	E	F	G	H	J	K	Clamping Force (N) At Max. - Min. End Projection	Allowable Screw Torque (N·m)	Weight (kg)		
								Max.							
BJ153-12063B1	25 - 50	63	32	16	14	14	52	86	18	M12x1.75	13,700 - 21,600	71	0.39		
BJ153-12063B2	50 - 70							107					0.43		
BJ153-12063B3	80 - 105							141					0.49		
BJ153-12080B1	25 - 50	80			19	25	69	107	86		18		10,300 - 21,000	80	0.44
BJ153-12080B2	50 - 70								107						0.48
BJ153-12080B3	80 - 105								141						0.54
BJ153-12100B1	20 - 45	100	32	20		40	89	84	18	10,900 - 25,800	80	0.55			
BJ153-12100B2	45 - 70							109				0.59			
BJ153-12100B3	75 - 100							139				0.65			
BJ153-12125B1	20 - 45	125			19	50	114	109	84	18		12,900 - 27,500	80	0.64	
BJ153-12125B2	45 - 70								109					0.68	
BJ153-12125B3	75 - 100								139					0.74	
BJ153-12160B1	20 - 45	160	32	20		60	149	84	18	15,400 - 28,800	80	0.77			
BJ153-12160B2	45 - 70							109				0.81			
BJ153-12160B3	75 - 100							139				0.87			
BJ153-16080B1	40 - 60	80			38	19	18	17	106	24		16,600 - 26,000	115	0.77	
BJ153-16080B2	65 - 90								136					0.84	
BJ153-16080B3	95 - 130								176					0.98	
BJ153-16100B1	35 - 55	100	19	25		25	30	107	24	14,200 - 28,400	129	0.99			
BJ153-16100B2	60 - 90							142				1.06			
BJ153-16100B3	90 - 125							177				1.2			
BJ153-16125B1	35 - 55	125		38	25	25	45	107	24	14,700 - 31,100		129	1.12		
BJ153-16125B2	60 - 90							142					1.19		
BJ153-16125B3	90 - 125							177					1.33		
BJ153-16160B1	35 - 55	160	38		25	25	65	107	24	15,300 - 33,400	183		1.3		
BJ153-16160B2	60 - 90							142					1.37		
BJ153-16160B3	90 - 125							177					1.51		
BJ153-20160B1	50 - 80	160		50	25	32	60	140	30	16,500 - 35,600		183	2		
BJ153-20160B2	85 - 115							175					2.15		
BJ153-20160B3	120 - 135							214					2.29		
BJ153-20200B1	50 - 80	200	50		25	32	80	140	30	17,900 - 37,800	183		2.3		
BJ153-20200B2	85 - 115							175					2.45		
BJ153-20200B3	120 - 135							214					2.59		