

BJ130

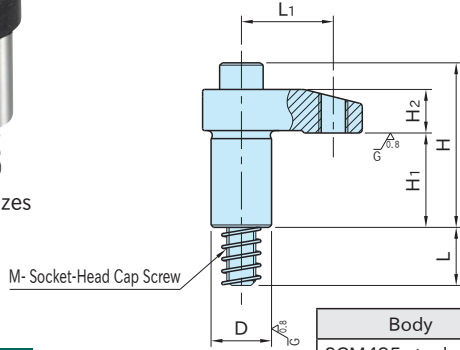
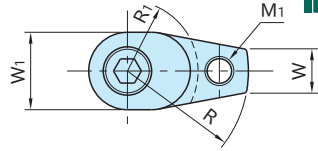
HOOK CLAMPS



M8 Size



M10-M16 Sizes



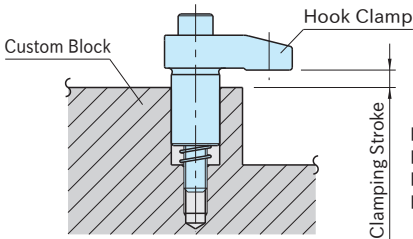
M- Socket-Head Cap Screw

Body
SCM435 steel
Quenched & tempered
Black oxide finished
Precision ground

Related Product

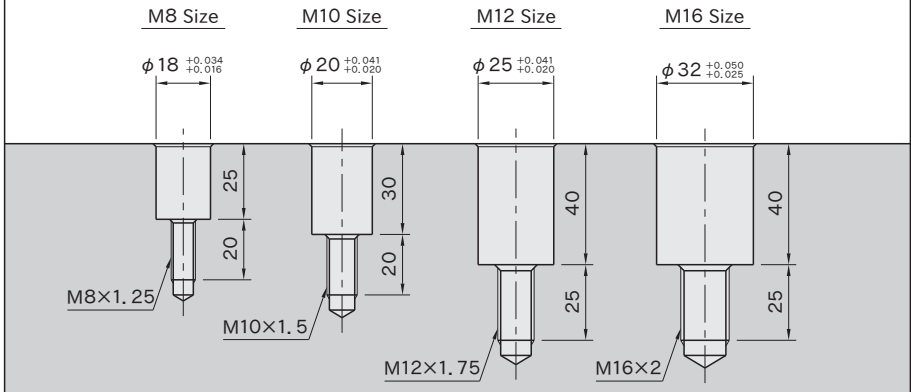
BJ530 Hook-Clamp Holders

How To Use



- BJ130-08***(M 8 size) : 10mm
- BJ130-10***(M10 size) : 12mm
- BJ130-12***(M12 size) : 15mm
- BJ130-16***(M16 size) : 15mm

■ Machining Instruction for Custom Blocks



Hook Clamps can be plugged directly into custom blocks with receiving holes as specified above.

Part Number	R	R ₁	M ₁	L ₁	D (h7)	H ₁	M	L	H						
BJ130-08020	20	15	—	—	18	23	M 8×1.25-50L	21	37						
BJ130-08025	25														
BJ130-08030	30														
BJ130-10030	30	20	—	—	20	30	M10×1.5 -65L	21	54						
BJ130-10040	40	25													
BJ130-12040	40	25								—	—	25	39	M12×1.75-80L	26
BJ130-12050	50		24	68											
BJ130-12060	60		M12×1.75	31	26	66									
BJ130-12140	40			38	24	68									
BJ130-12150	50			46											
BJ130-12160	60		25	—	—	32	39	M16×2 -85L	26						75
BJ130-16040	40														
BJ130-16050	50	46													
BJ130-16060	60														
BJ130-16150	50	M12×1.75								38					
BJ130-16160	60									46					

Part Number	W ₁	W	H ₂	Clamping Force(kN)	Allowable Screw Torque(N·m *)	Weight (g)	
BJ130-08020	22	10	12	15	38	90	
BJ130-08025				12	33	100	
BJ130-08030				10	30	105	
BJ130-10030	25	12	15	13	38	165	
BJ130-10040				10	32	180	
BJ130-12040	32	18	16	18	60	305	
BJ130-12050				18	14	50	360
BJ130-12060					12	46	380
BJ130-12140			18	16	18	60	295
BJ130-12150				14	50	350	
BJ130-12160				12	46	370	
BJ130-16040				36	22	21	38
BJ130-16050	31	150	580				
BJ130-16060	26	130	625				
BJ130-16150	31	150	565				
BJ130-16160	26	130	610				

*) Values for use in conjunction with custom holder blocks.

For use in conjunction with [BJ530](#) Hook-Clamp Holders, apply allowable screw torques given on the [BJ530](#) page.

Note

Please put grease on sliding surface to prevent galling when using in dry condition.