

BFB, BFT

BASKET FILTERS



Original ELESA Model FRB+C, FRF+C



BFB

(Bayonet-style Flange)



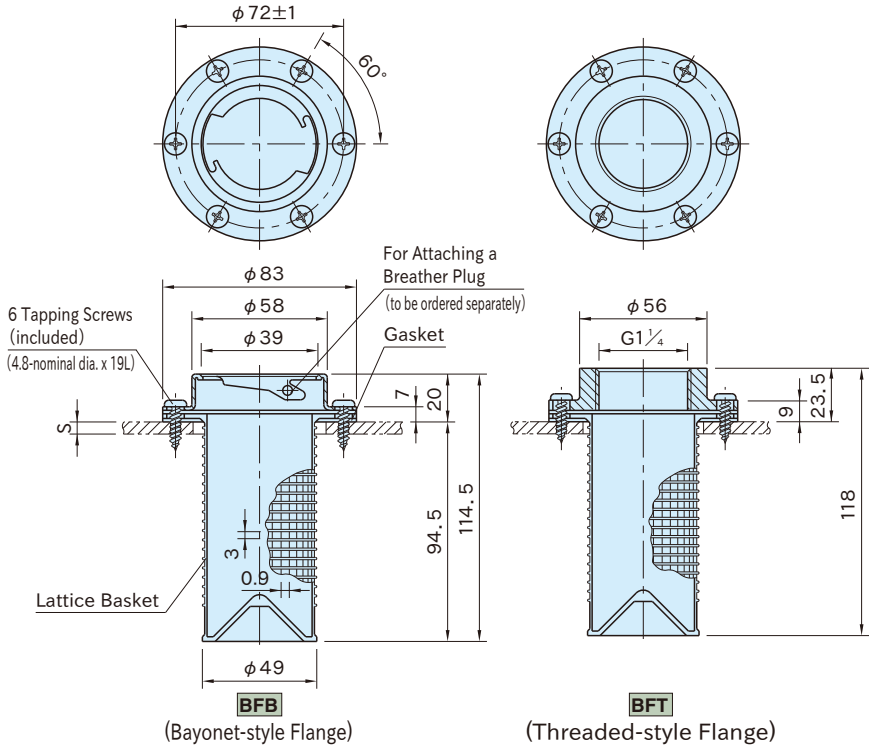
BFT

(Threaded-style Flange)

The cap must be ordered separately.



Part Number	Flange	Basket	Gasket	Tapping Screw
BFB	Steel (SUM22L) Zinc plated finish	Polypropylene plastic Black Matte	Nitrile rubber (NBR)	Steel (SUM22L) Zinc plated finish
BFT	Glass-fiber reinforced polyamide plastic Black Matte	Black Matte Lattice: 0.9x3mm		



BFB (Bayonet-style Flange)

Part Number	Weight (g)
BFB	125

BFT (Threaded-style Flange)

Part Number	Weight (g)
BFT	105

Features

The gasket prevents oil leak.

Notes

- Do not mount these plugs on the water tank to avoid them from expanding due to water absorption.
- Unresistant to gasoline and alcohol.

Technical Information

Working temperature : Between 0°C and 90°

Proper Breather Plugs (Sold Separately)

Basket Filters	Plugs	
BFB	BR-39B	Breather Plugs
	PR-39B	Pressure Breather Plugs
BFT	BM-1.1/4	Breather Plugs
	BR-1.1/4T	Breather Plugs
	PR-1.1/4T	Pressure Breather Plugs
	VLHS-1.1/4FK	Valve Breather Plugs
	VLHS-1.1/4EP	Valve Breather Plugs
	CP-1.1/4	Fluted Plugs

Installation Instructions

It is recommended that the holes for the tapping screws be changed in diameter depending on the thickness of the tank wall.

