

BCHN-M

PLASTIC CRANK HANDLES

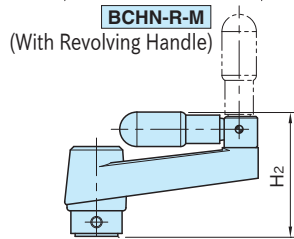
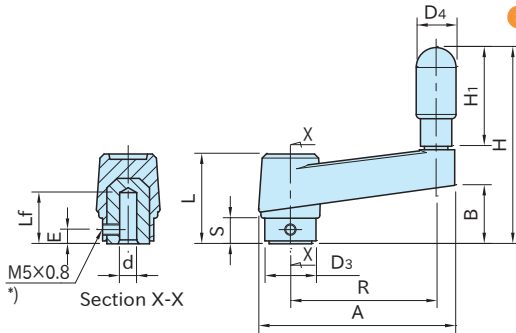
On Request 




BCHN-R-M
(With Revolving Handle)



BCHN-F-M
(With Revolving Fold-Away Handle)



BCHN-F-M
(With Revolving Fold-Away Handle)

Crank	Hub	Handle
Polyamide plastic (Glass-fiber reinforced) Black matte	SUM22L steel Black oxide finish	Polyamide plastic Black matte

BCHN-R-M (With Revolving Handle)

Part Number	R	d (H9)	Lf	A	H	D ₃	L	S	E	B	D ₄	H ₁	Weight (g)	Delivery Time
BCHN 64R-M	64	8	20	86	78	20	31.5	9	5	17.5	15.5	45	82	2 Working days **)
BCHN 80R-M	80	10	25	106	99	24	37	11	6	23.5	18	60	118	
BCHN100R-M	100	12	24	128	106		40.5	10	5	25	22	65	190	

BCHN-F-M (With Revolving Fold-Away Handle)

Part Number	R	d (H9)	Lf	A	H	H ₂	D ₃	L	S	E	B	D ₄	H ₁	Weight (g)	Delivery Time
BCHN 64F-M	64	8	20	86	91	47	20	31.5	9	5	17.5	15.5	45	89	2 Working days **)
BCHN 80F-M	80	10	25	106	111	53.5	24	37	11	6	23.5	18	60	130	
BCHN100F-M	100	12	24	128	124	59.5		40.5	10	5	25	22	65	200	

Note

*) These are machined handles of **BCHN-R**, **BCHN-F** to add the hole for setscrew.

For further information, please refer to the catalog pages at our website.

**) Ordering 11 pcs or more, please ask us for the delivery time.

) Can not be used with **MAU3222.

