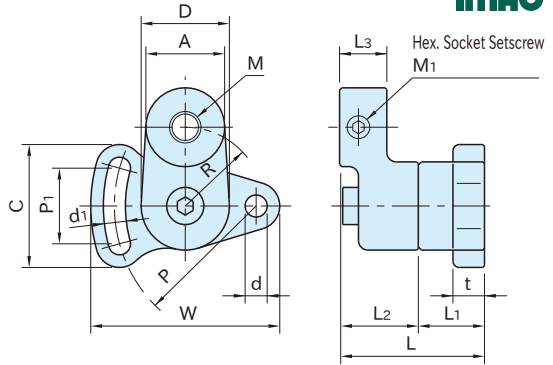


BAT-R / BAT-A VERTICAL SLOTTED TIGHTENERS



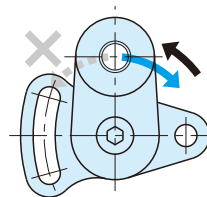
Part Number	Body	Arm	Locking Element
BAT45R	Cast iron (FCD450) Powder baking finish	Steel (1 S50C) Powder baking finish	S50C
BAT45A	Black	Black	
BAT90R	Cast iron (FC250) Powder baking finish	Cast iron (FCD450) Powder baking finish	S45C
BAT90A	Black	Black	

Part Number		No. of Teeth	M	A	R	W	C	d	d1	P	P1	D	L2	L3	M1
BAT45R	BAT45A	15	M10×1.5	25	25	60	39	7.5	7	45	24	28	25	15	M5×0.8 - 6L
BAT90R	BAT90A	24	M20×2.5	50	55	117.5	70	12	11	90	40	55	46	28	M8×1.25-14L

BAT45R BAT90R (Adjustable Type)		BAT45A BAT90A (Swing Type)									
Part Number	L	t	L1	Weight (g)	Part Number	Max. Swing Angle	Max. Tension	L	t	L1	Weight (g)
BAT45R	46	10	21	300	BAT45A	70°	45.8	46	10	21	300
BAT90R	71	15	25	1,550	BAT90A	60°	145	85	15	39	1,900

Notes

- Caution on **BAT45A** **BAT90A** (Swing Type)
- Initial tension is "0"N.
- Do not apply a counterclockwise force to the arm when it is engaged with the locking element, to avoid possible damage to the return spring.



Clockwise force applied to the arm allows generating tension (max. torsion angle and max. tension must be considered in installation).