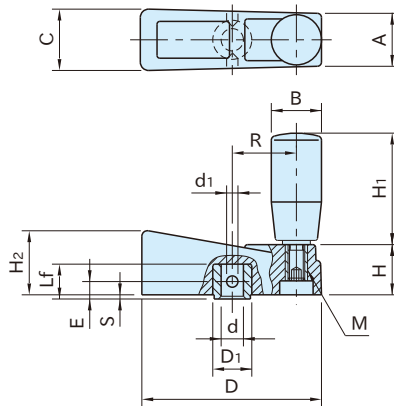


BA**BALANCED HANDLES**

Original Elesa Model ME.



| Crank | Hub | Cap | Cap Handle |
|---|-----------------------------------|--------------------------------|--------------------------------------|
| Phenolic plastic (BA95:Polyamide) Glossy Finish Black | Steel (SUM22L) Black oxide finish | Aluminum (A1080P) Silver matte | Phenolic plastic Glossy Finish Black |

| Part Number | D | H | H ₂ | D ₁ | B | H ₁ | M | R | d (H7) | Lf | A | C | S | d ₁ | E | Weight (g) |
|--------------|-----|----|----------------|----------------|----|----------------|----------|----|--------|---------|----|----|-----|----------------|-----|------------|
| BA 65 | 65 | 18 | 23 | 13 | 18 | 40 | M 6X1 | 23 | 8 | 13 | 19 | 22 | 1.5 | 4.5 | 6.5 | 93 |
| BA 80 | 80 | 20 | 26 | 14 | 21 | 50 | M 8X1.25 | 30 | 10 | 16 | 20 | 24 | | 8 | 102 | |
| BA 95 | 94 | 22 | 29 | 18 | | | | 23 | 65 | M10X1.5 | 36 | 12 | 19 | 22 | 26 | 5.5 |
| BA110 | 110 | 24 | 34 | 18 | 26 | 80 | M10X1.5 | 44 | 17.5 | 24 | 30 | 28 | 9 | 260 | | |
| BA140 | 140 | 26 | 37 | | | | | 57 | | | | | | 335 | | |

Features

- Embedded counterweight makes the handle balanced.
- Glass fiber added for greater material strength.
- Comes with a **RG** handle

Technical Information

Working temperature :

BA65,80,110,140 max.110°C min.-20°C**BA**95 max.90°C min.0°C**Notes**

- d is not a through hole.
- d₁ is a prepared hole for setscrews.