

AL2SP

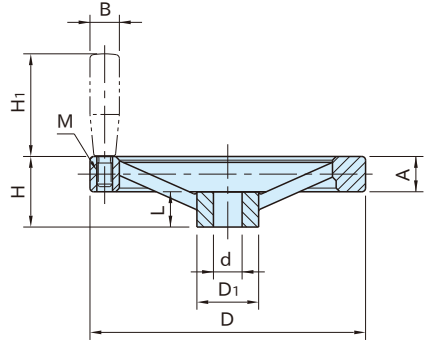
ALUMINUM ANGLED-SPOKE HANDWHEELS



AL2SP-N
(Without Handle-Mounting Tapped Hole)



AL2SP
(With Handle-Mounting Tapped Hole)
Note: Handle must be ordered separately



| |
|----------------------|
| Handwheel |
| Aluminum alloy(AC4B) |
| Buffed finish |

| Without Handle-Mounting Tapped Hole | With Handle-Mounting Tapped Hole | | D | H | A | D ₁ | L | d (H8) | Weight (g) |
|-------------------------------------|----------------------------------|----------|-----|----|------|----------------|----|--------|------------|
| Part Number | Part Number | M | | | | | | | |
| AL2SP 80N | AL2SP 80 | M 6×1 | 80 | 28 | 14 | 24 | 16 | 10 | 160 |
| AL2SP100N | AL2SP100 | | 100 | 30 | | 26 | 17 | | 250 |
| AL2SP125N | AL2SP125 | M 8×1.25 | 125 | 33 | 21.5 | 31 | 18 | 12 | 380 |
| AL2SP160N | AL2SP160 | M10×1.5 | 160 | 39 | | 36 | 20 | 14 | 600 |
| AL2SP200N | AL2SP200 | | 200 | 45 | 42 | 24 | 18 | 1,020 | |
| AL2SP250N | AL2SP250 | | 250 | 50 | 23 | 48 | 28 | 22 | 1,700 |

| With Handle-Mounting Tapped Hole Part Number | Recommended Revolving Handles | Recommended Revolving Handles | B | H ₁ |
|---|-------------------------------|-------------------------------|----|----------------|
| | Part Number | Part Number | | |
| AL2SP 80 AL2SP100 | RG 28 | - | 14 | 28 |
| | RG 40 | RG40N | 18 | 40 |
| | RG 50 | RG50N | 21 | 50 |
| AL2SP125 | RG 65 | RG65N | 23 | 65 |
| | - | RG80NB | 26 | 80 |
| AL2SP160 | RG 80 | RG80N | 26 | 80 |
| AL2SP200 | RG 90 | RG90N | 28 | 90 |
| AL2SP250 | RG115 | - | 29 | 116 |

Notes

- Aluminum fixed handles and aluminum revolving handles can also be used.
- Slight dimensional variations can be caused due to buffed finish.