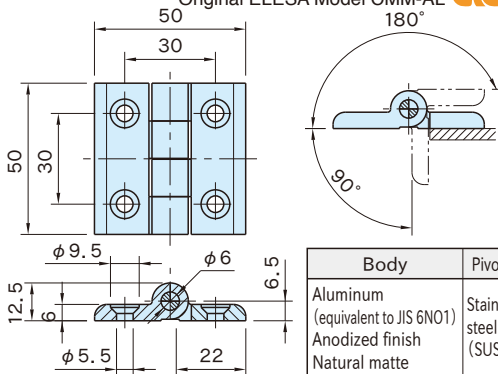


AFTH

ALUMINUM HINGES



Original ELESa Model CMM-AL



Part Number	Weight (g)
AFTH5050HH	50

Technical Information

Pivot Angle max. 270°

Application Example

