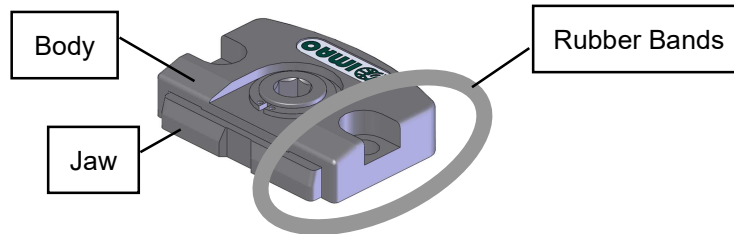


## LOW-PROFILE CAM EDGE CLAMPS INSTRUCTIONS

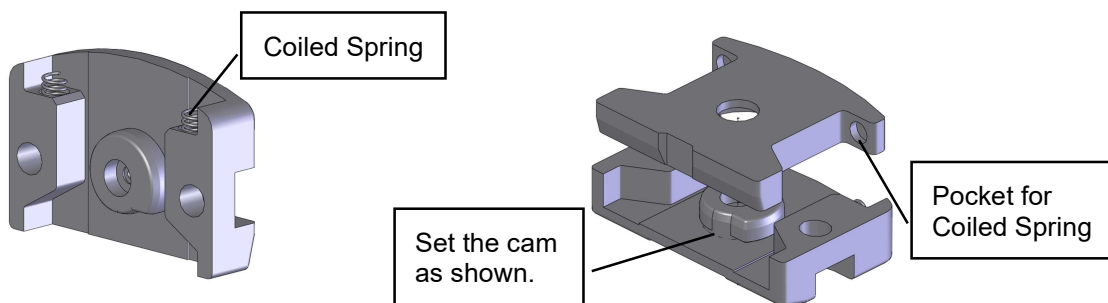
### **Note 1:**

The jaws are fastened to the body with rubber bands. Remove them before use.



### **Note 2:**

After removal of the rubber bands, carefully handle the product to avoid disassembly of the parts. In case of disassembly, follow the reassembly instructions below.



Insert coiled springs (x2 places)

Put the jaw and the body together with the coiled springs staying in the pockets, first on the side of the coiled springs.

### **Precautions for Mounting**

1. Ensure that the fixture plate surface is finished to ( $\nabla_{6.3}$ ) and has no scratches or dents.
2. Wipe out the fixture plate surface and the product's bottom face before mounting.

Note that failure to do the above can cause the jaw to fail to return at the unclaming mode.

IMAO CORPORATION

[CONTACT US]

Export Sales Team

<https://www.imao.com/en/contact-us/>